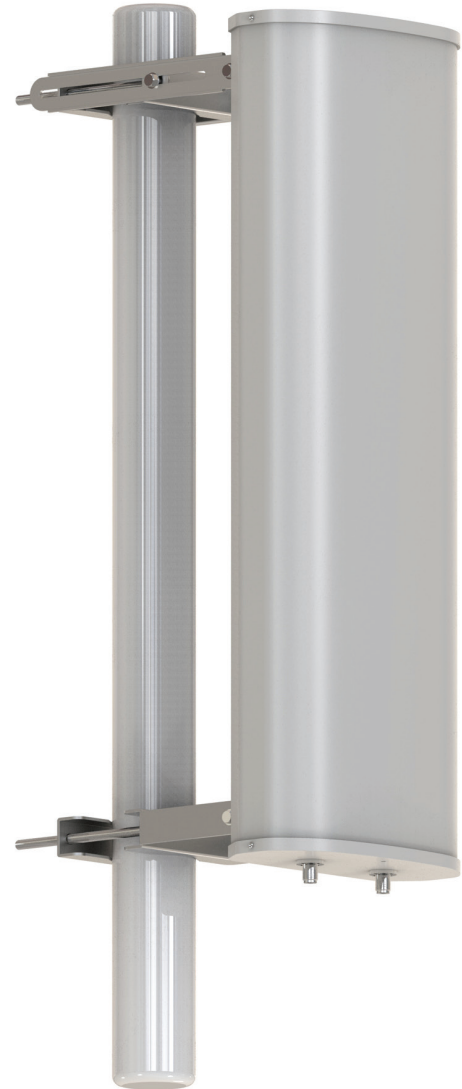
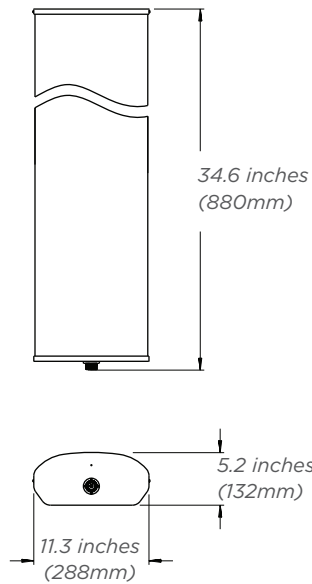
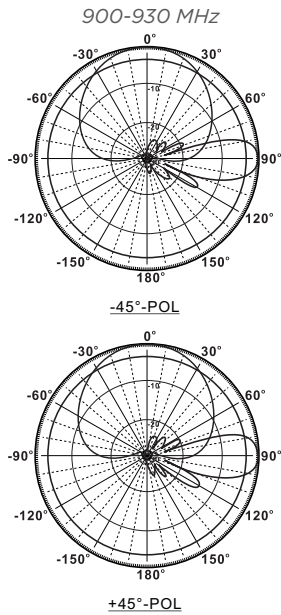


# 900 MHz 60 Degree Sector Antenna

The Sector Antenna is compatible with the PMP 450i 900 MHz.

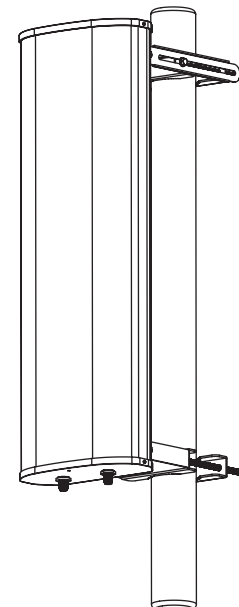


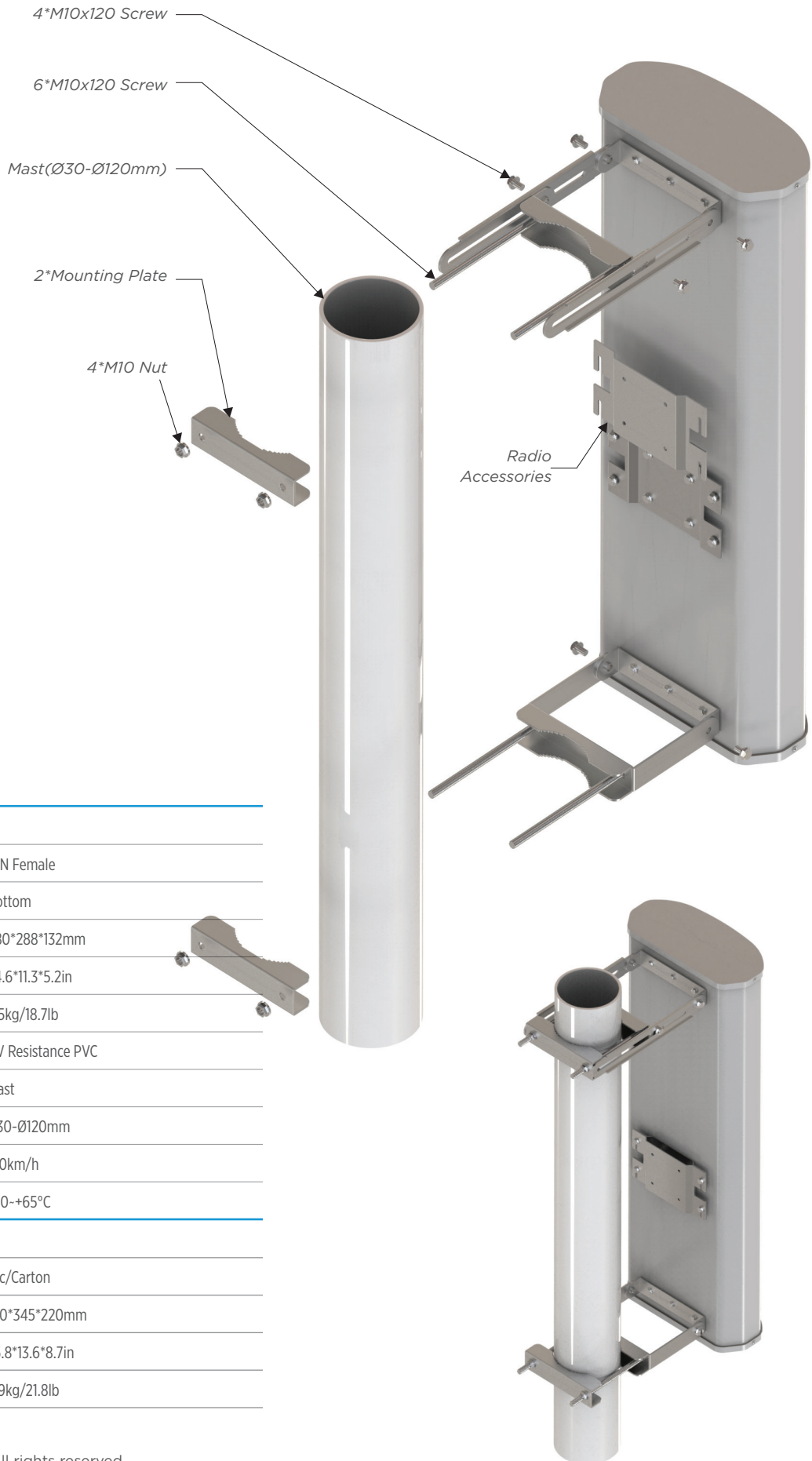
N009045D001A



## ELECTRICAL DATA

Frequency	900-930 MHz
Gain	13 dBi
VSWR	<1.7:1
Polarization	Dual slant, ±45°
Horizontal Beamwidth	65°
Vertical Beamwidth	23°
Front-to-back ratio	>30dB
Isolation	>30dB
Cross-polar ratio	>15dB (±60°≥10)
Impedance	50 Ohms
Max Input Power	100W
Lightning Protection	DC Ground





### MECHANICAL DATA

Connector	2*N Female
Connector Position	Bottom
Dimensions	880*288*132mm
Length / Width / Height	34.6*11.3*5.2in
Weight	8.5kg/18.7lb
Random Material	UV Resistance PVC
Mounting Method	Mast
Mast Size	Ø30-Ø120mm
Rated Wind Velocity	210km/h
Operating Temperature	-40-+65°C

### SHIPMENT DATA

Packaging Quantity	1pc/Carton
Carton Size	910*345*220mm
(Length / Width / Height)	35.8*13.6*8.7in
Packaging Weight	9.9kg/21.8lb