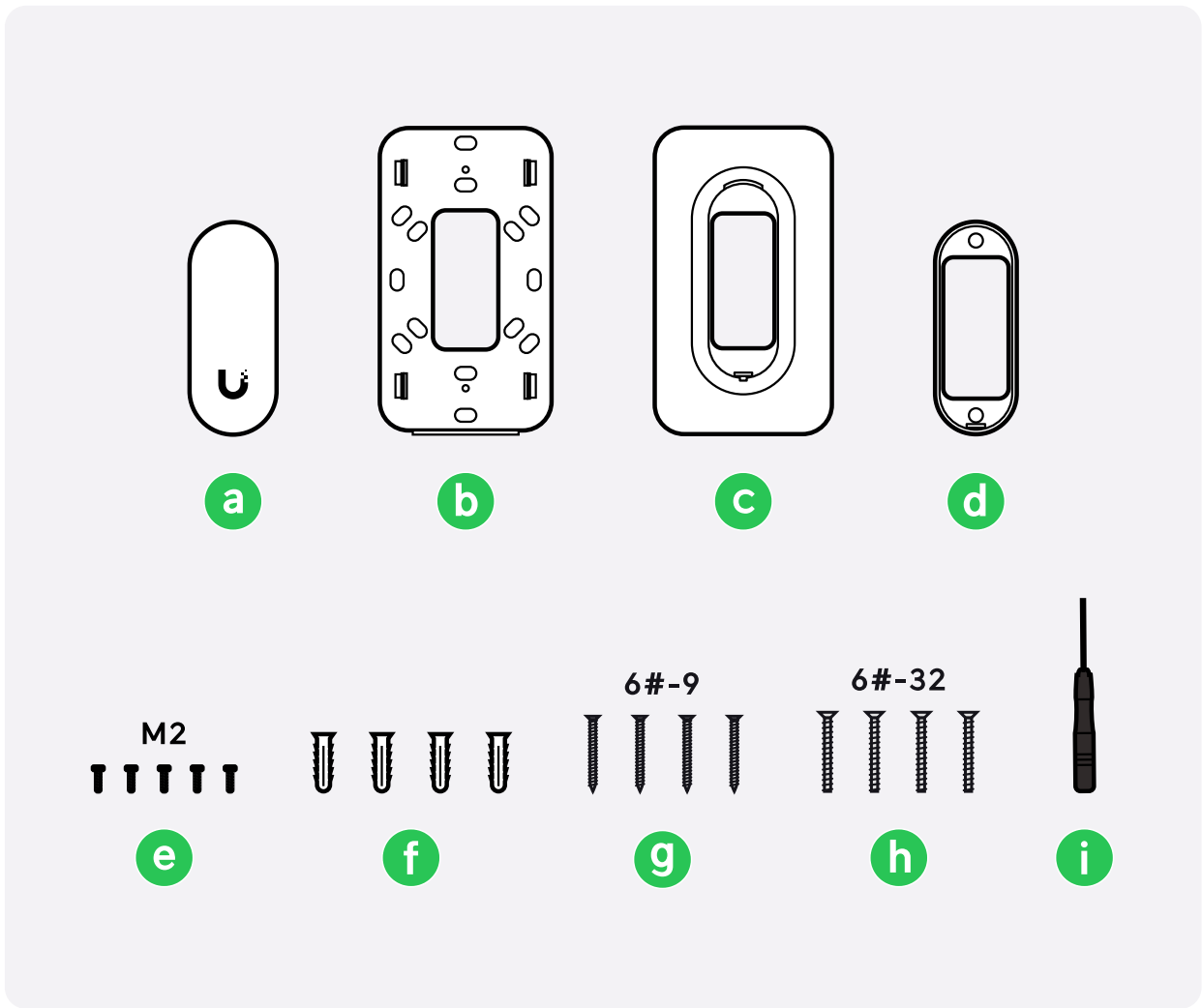
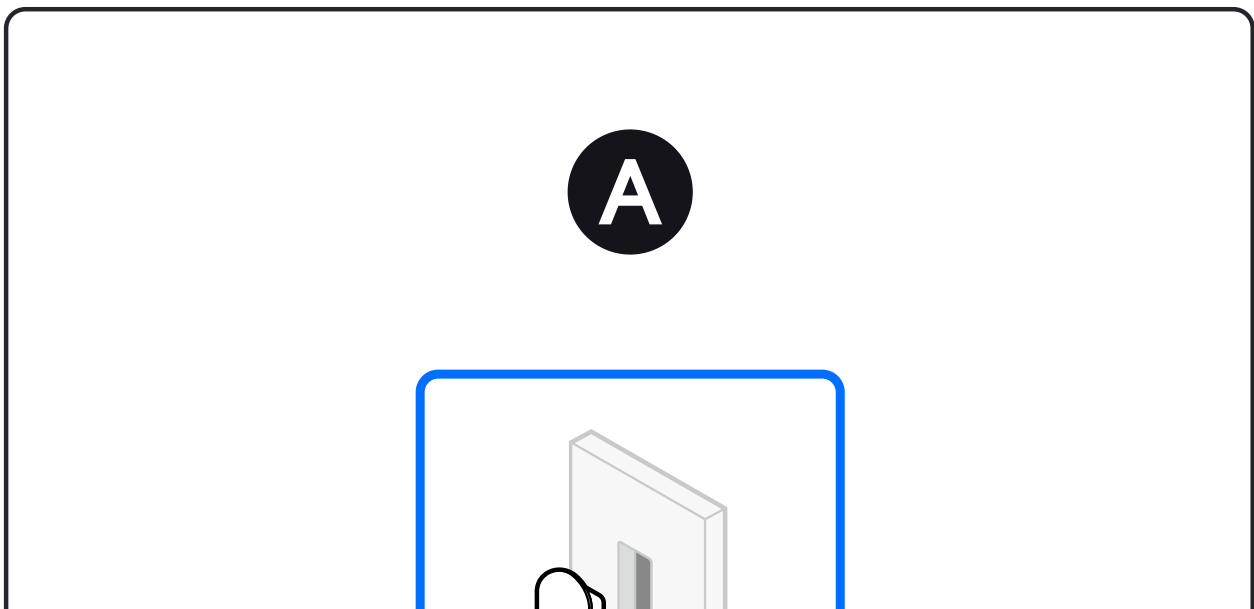


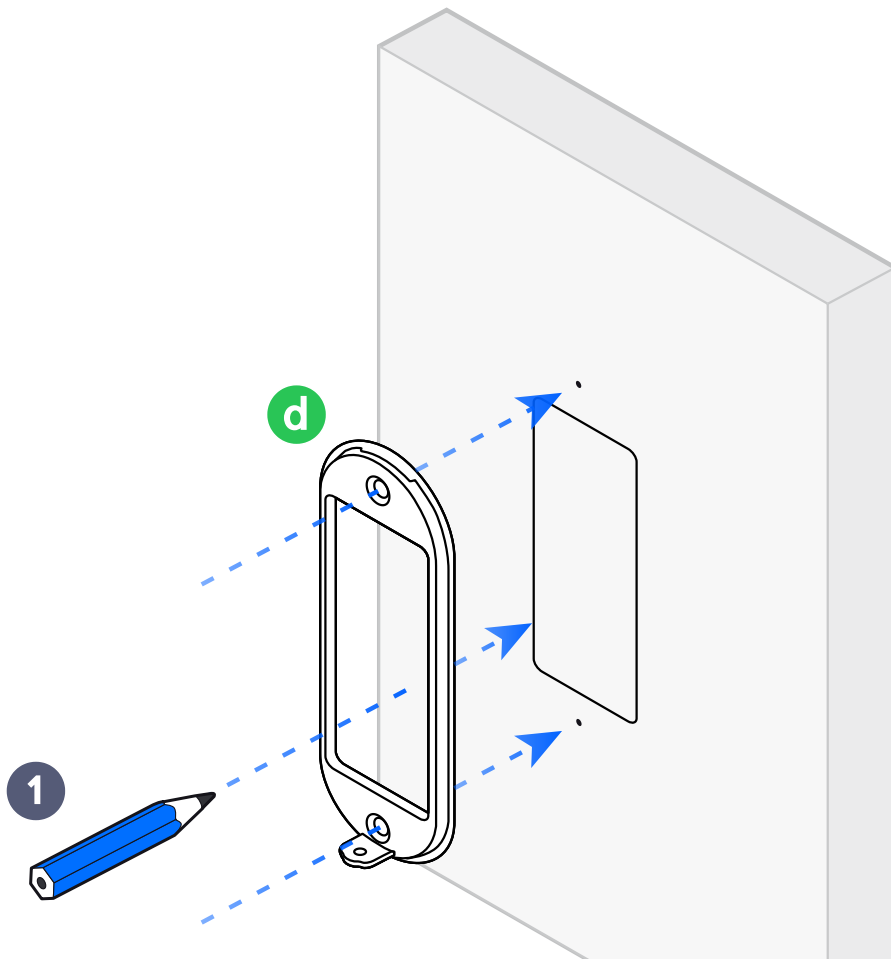
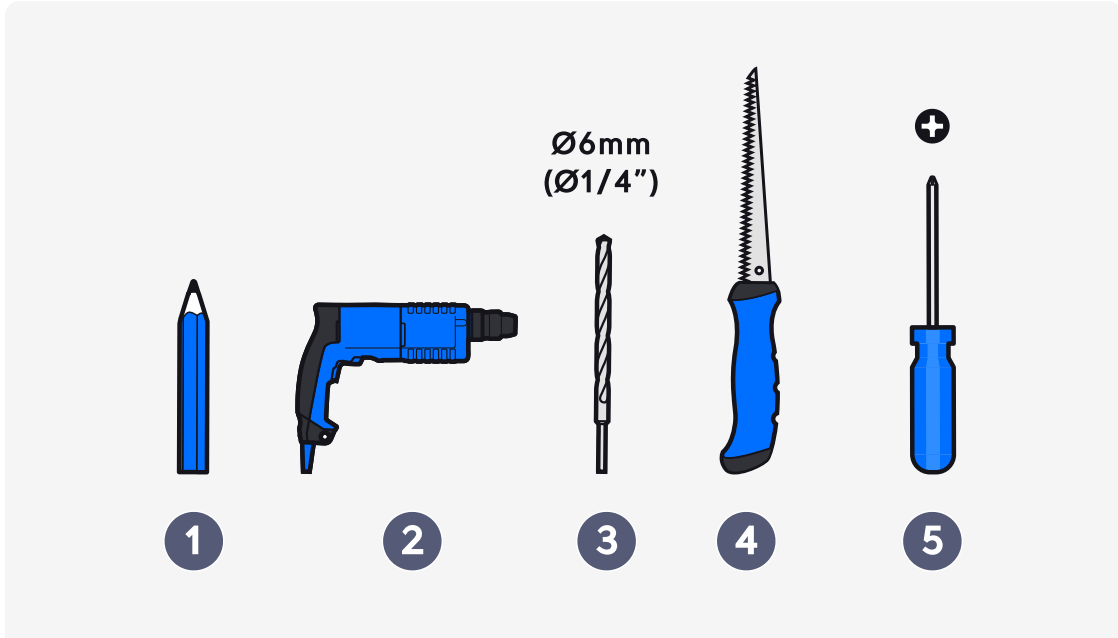
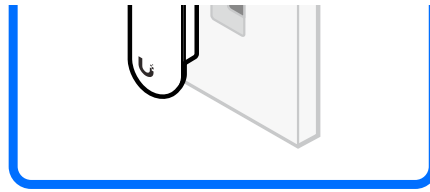


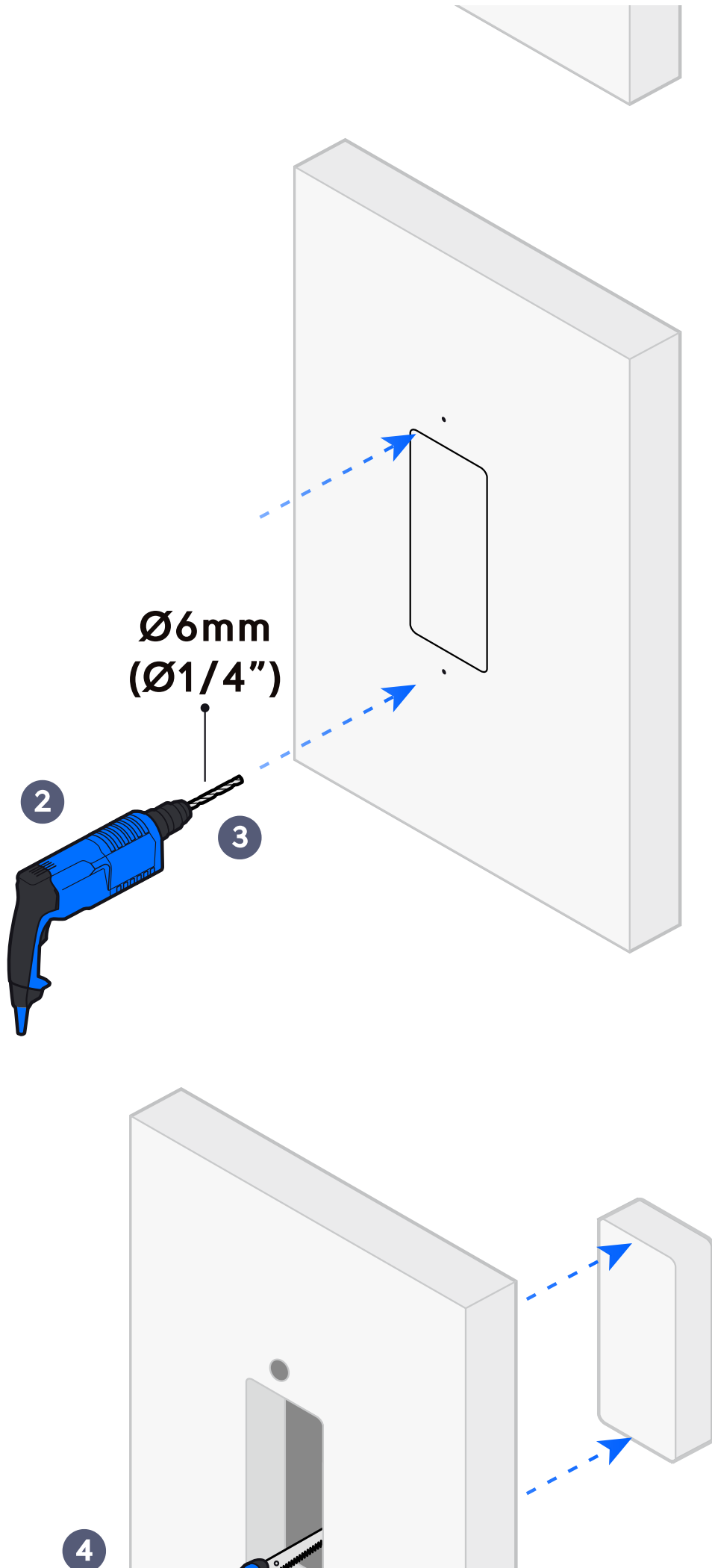
Access Reader Lite

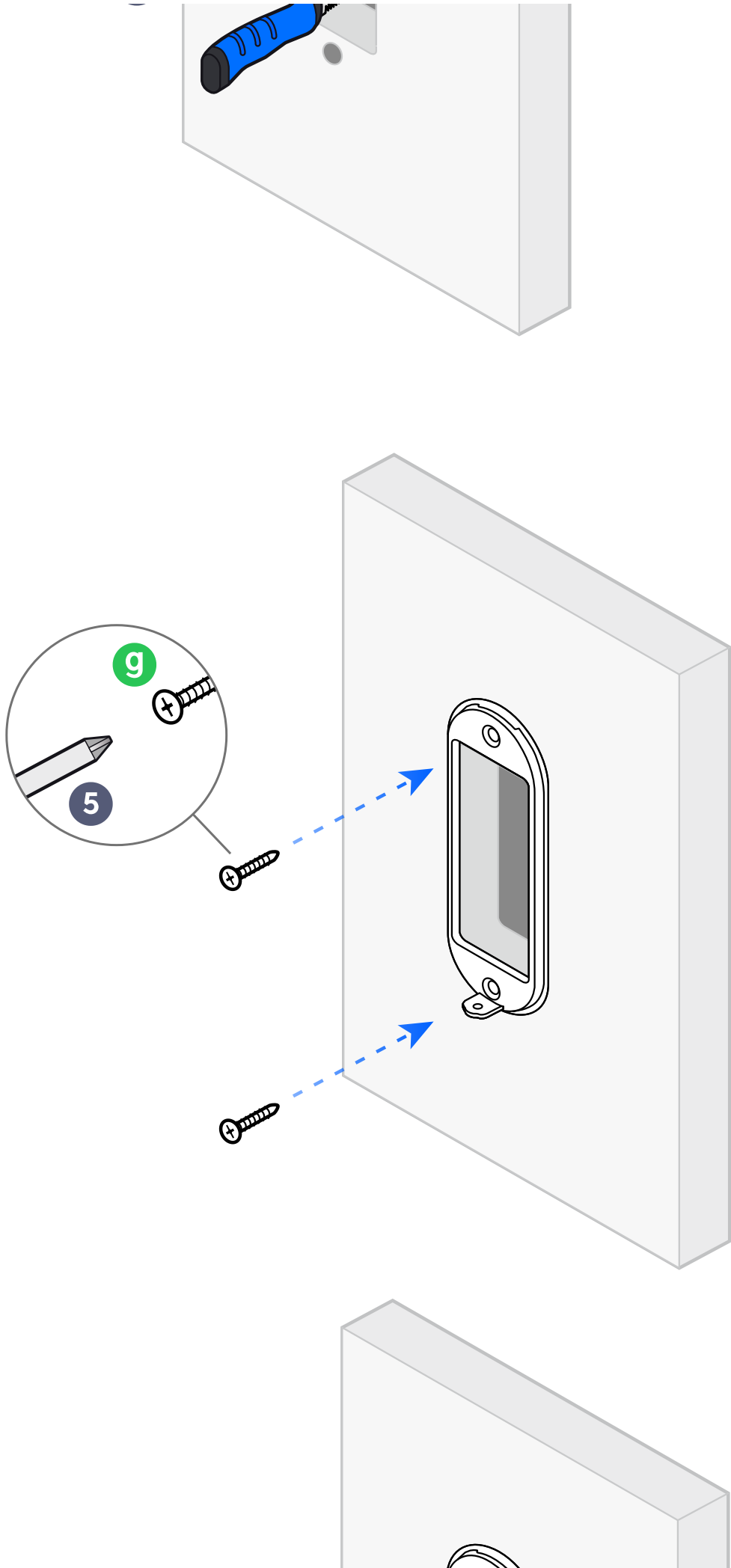


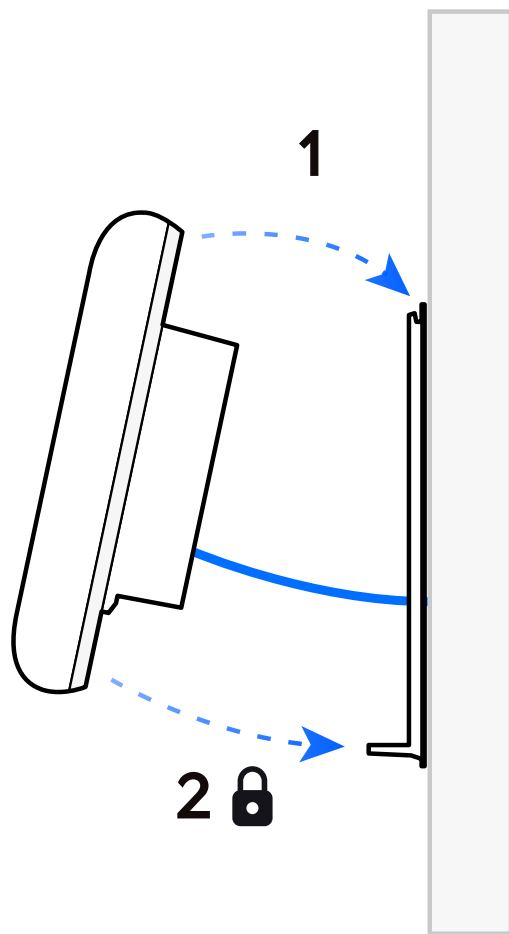
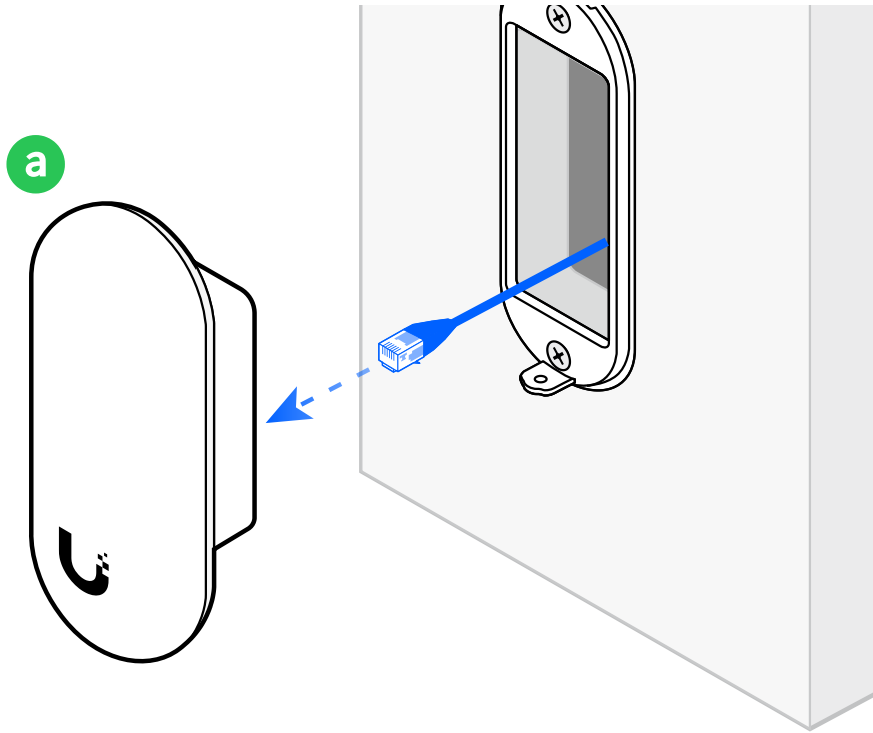
1

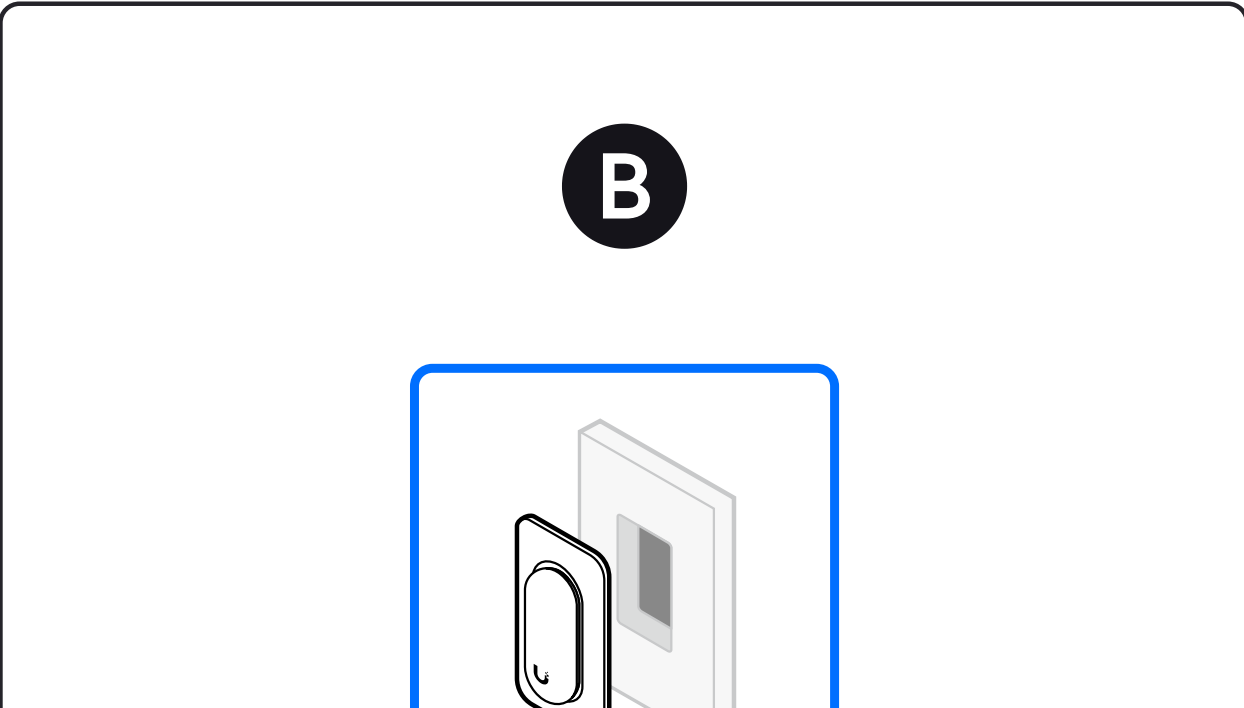
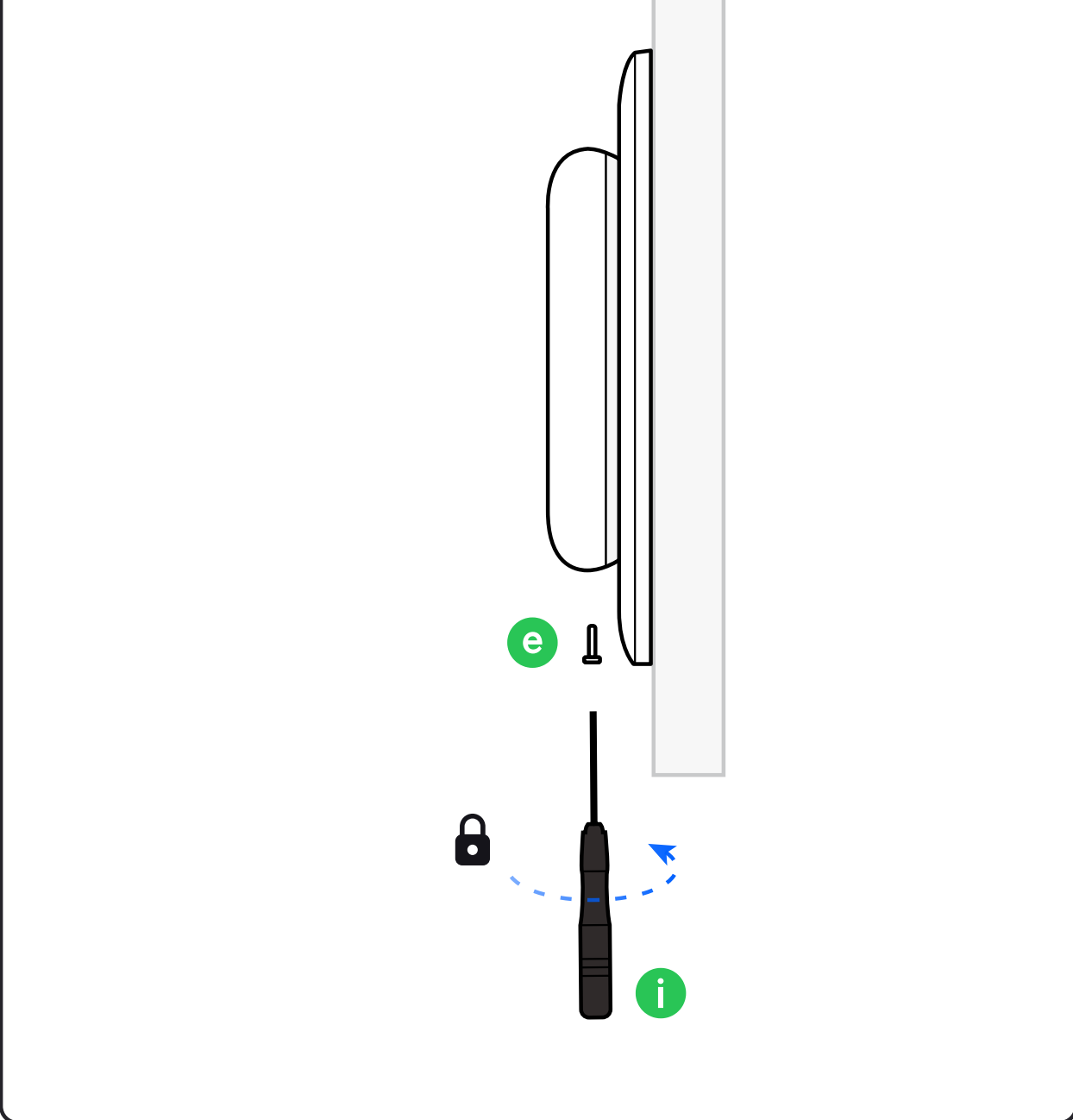


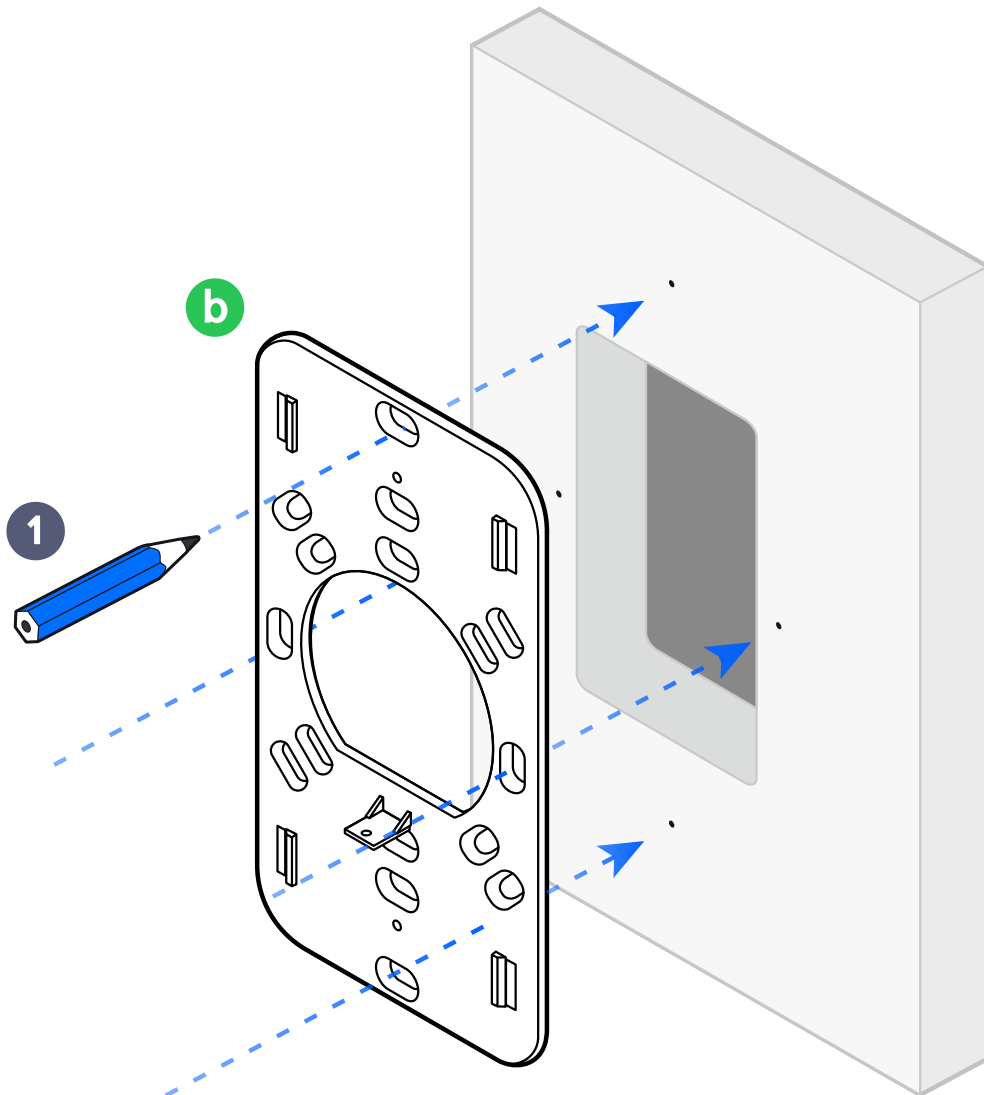
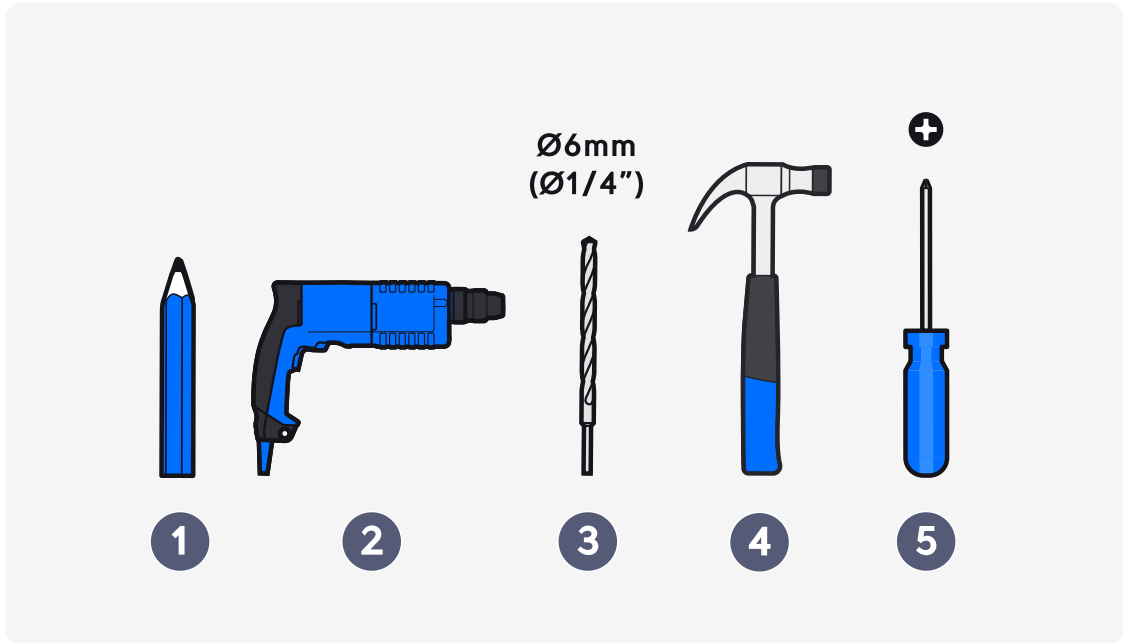


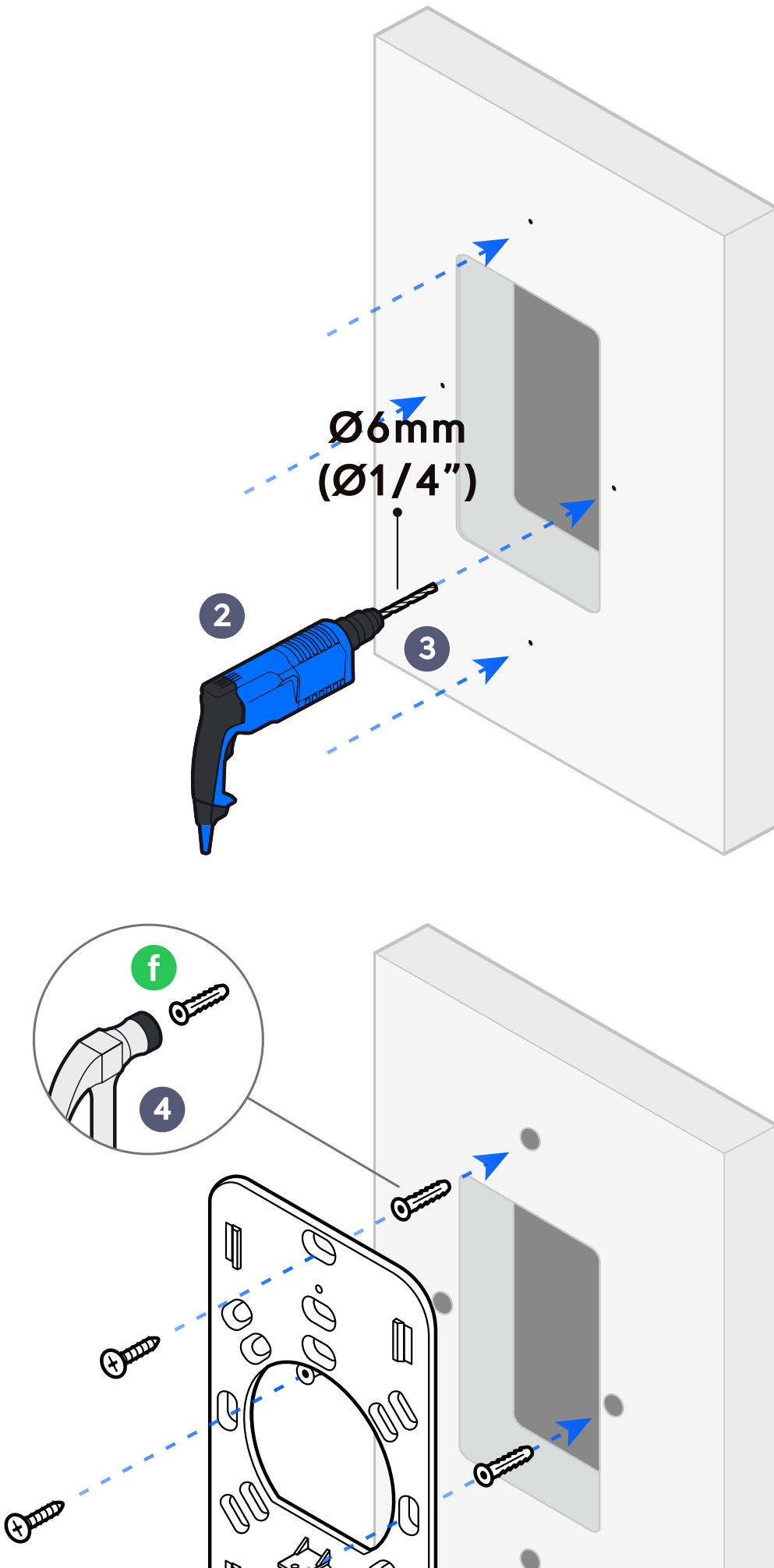


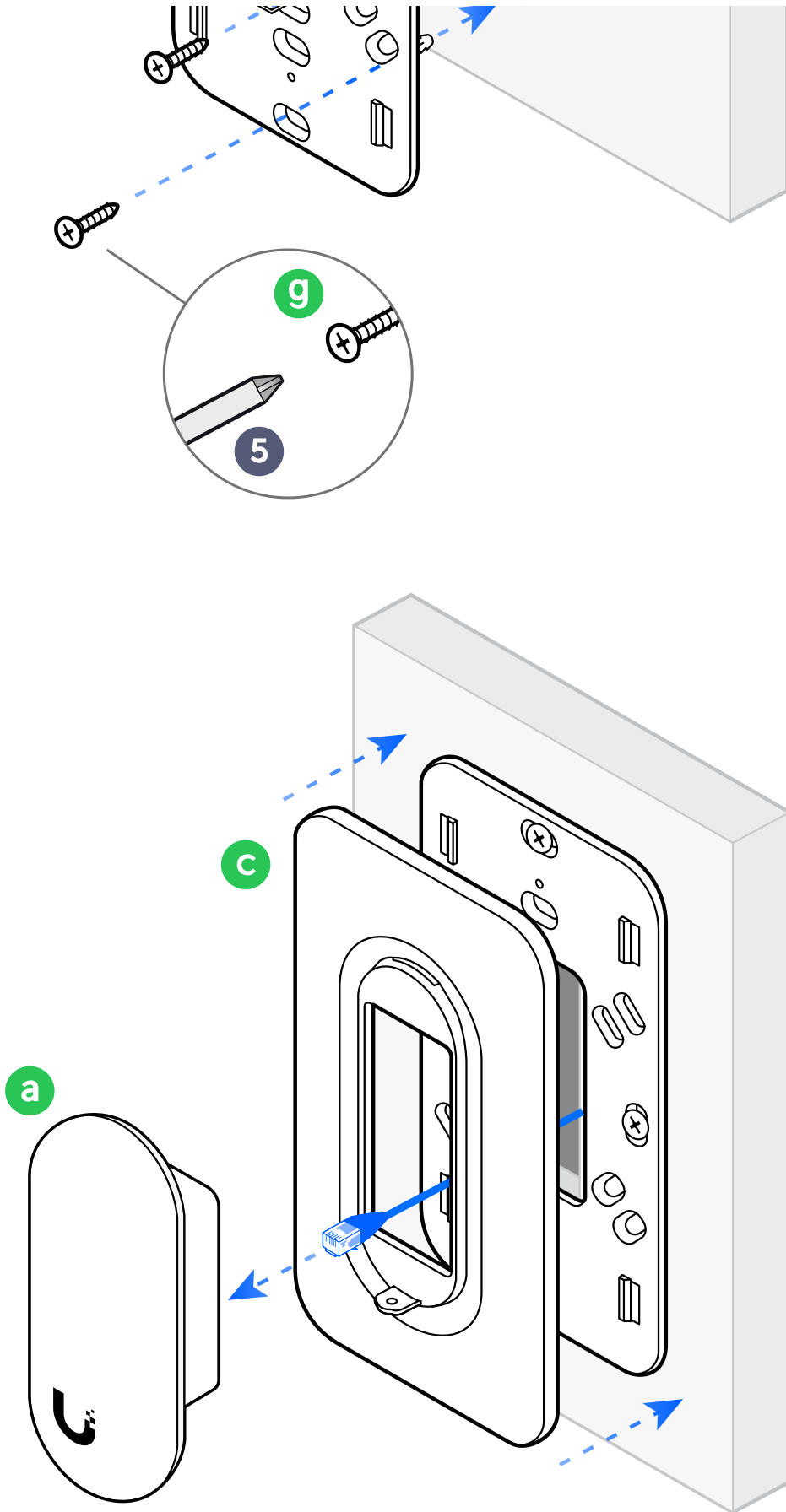


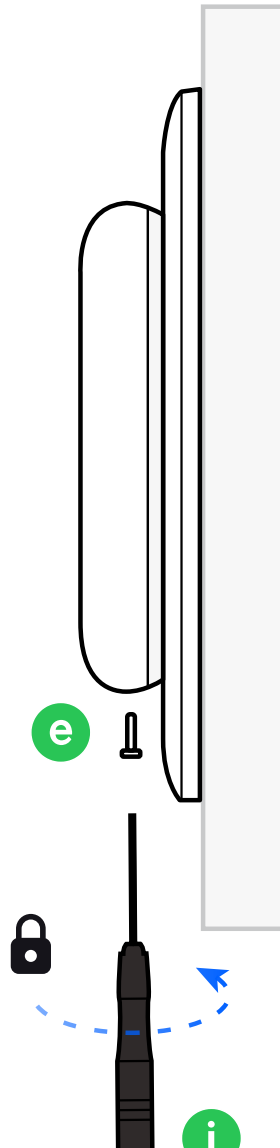
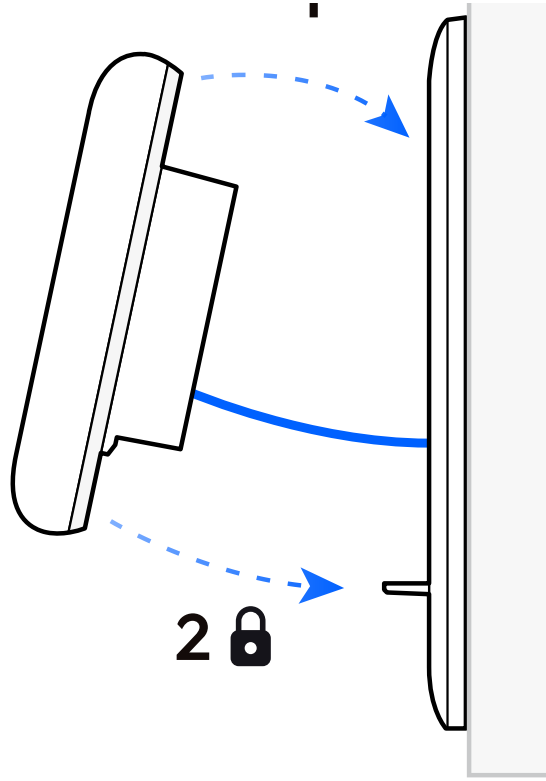


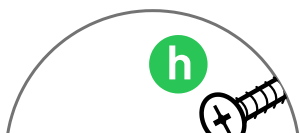
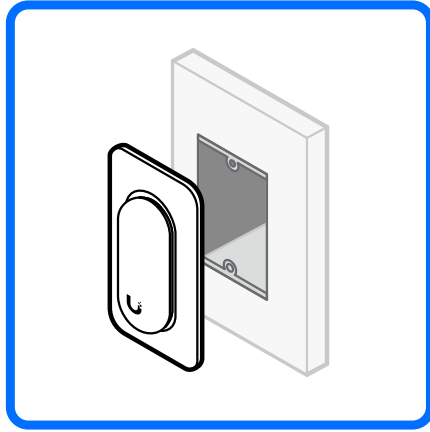


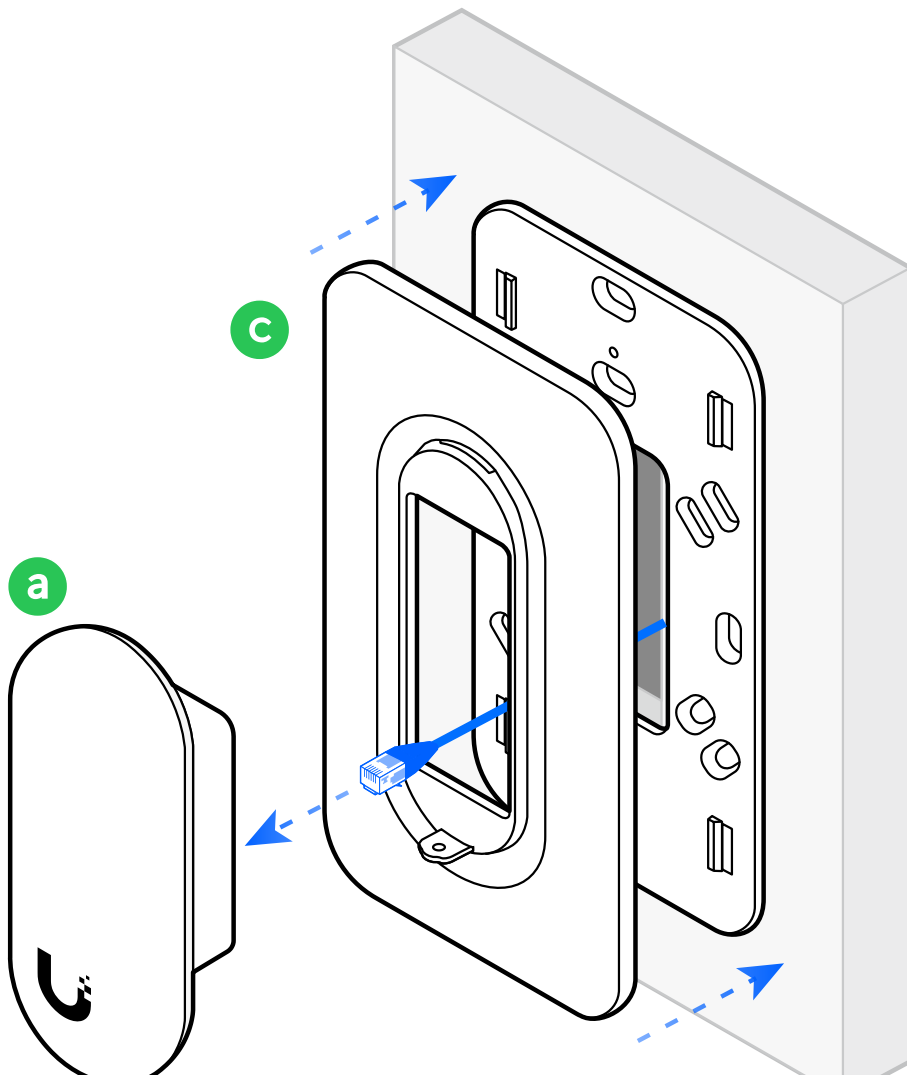
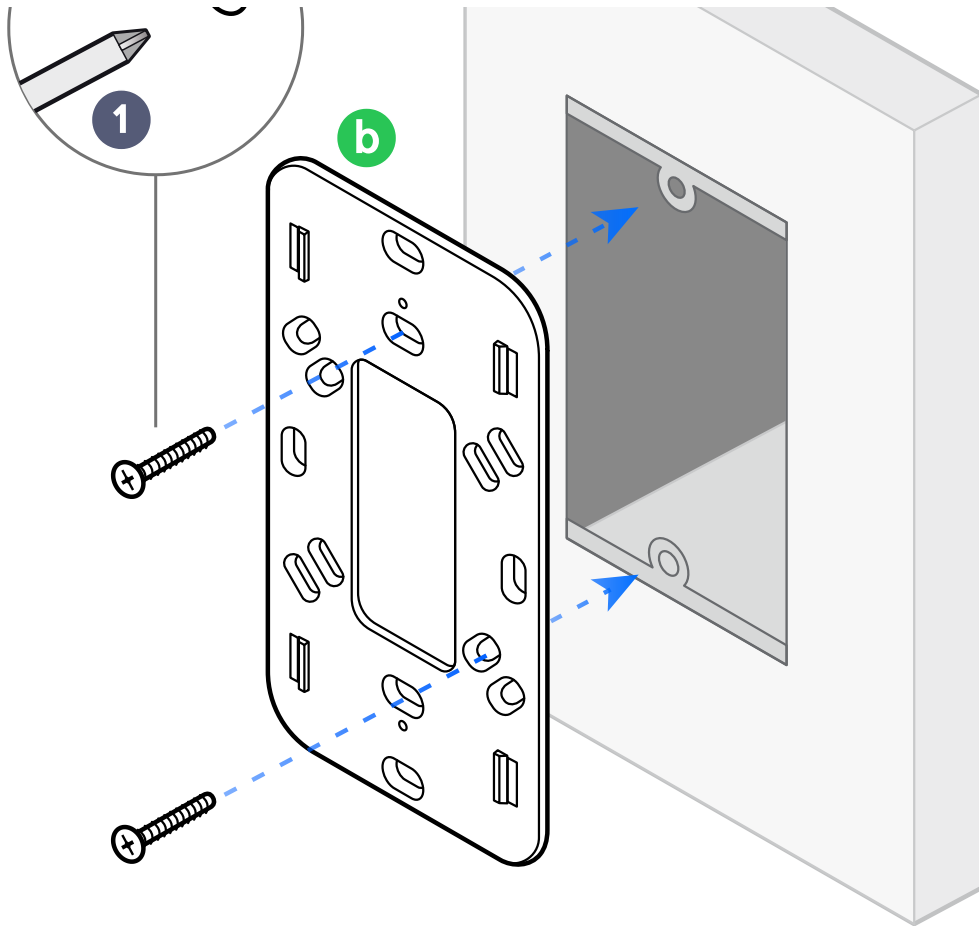


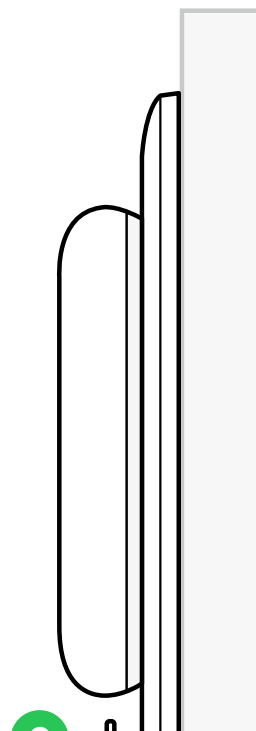
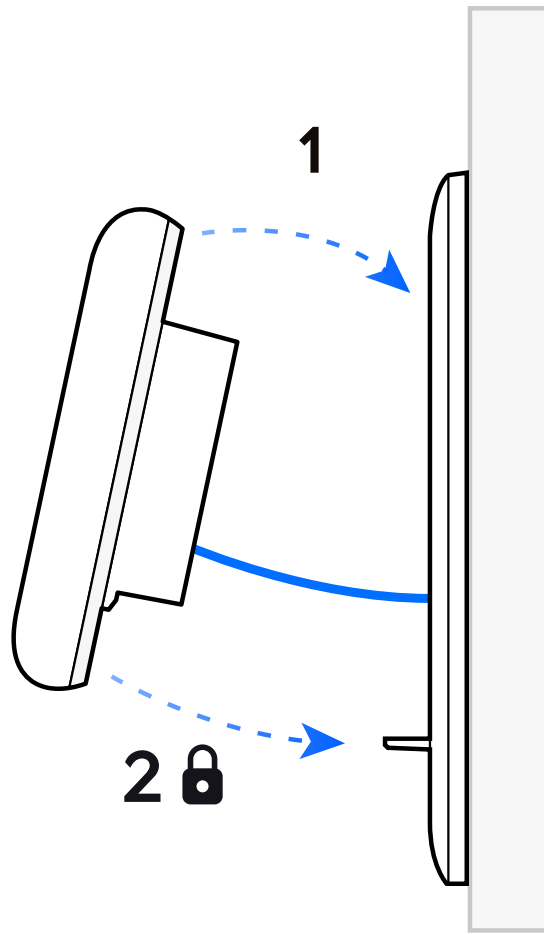


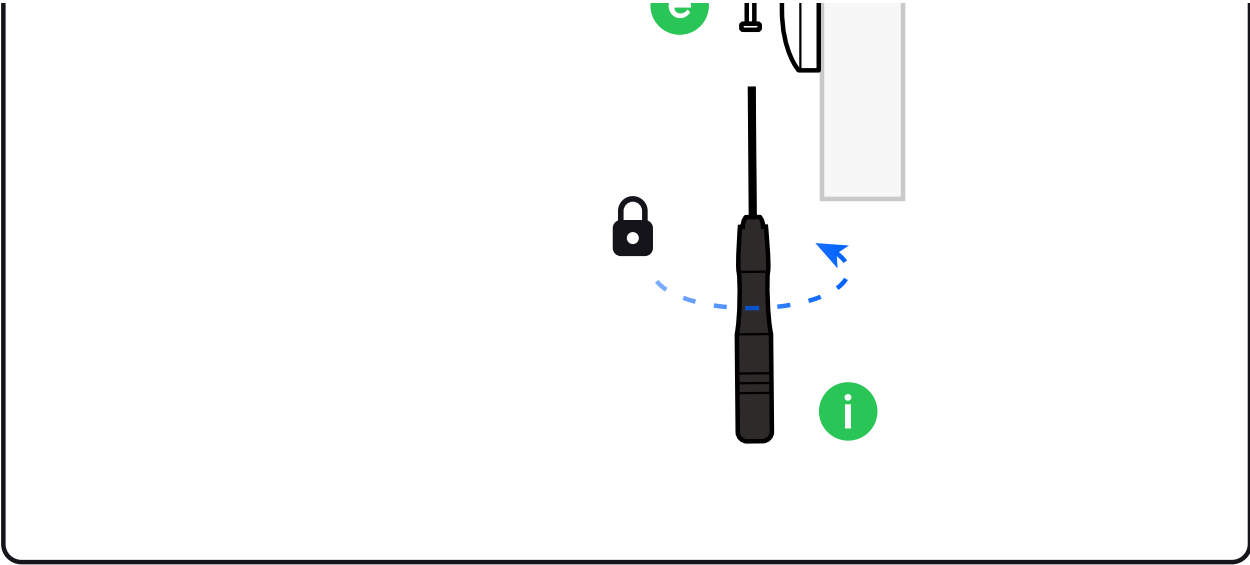








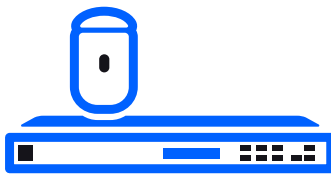




2

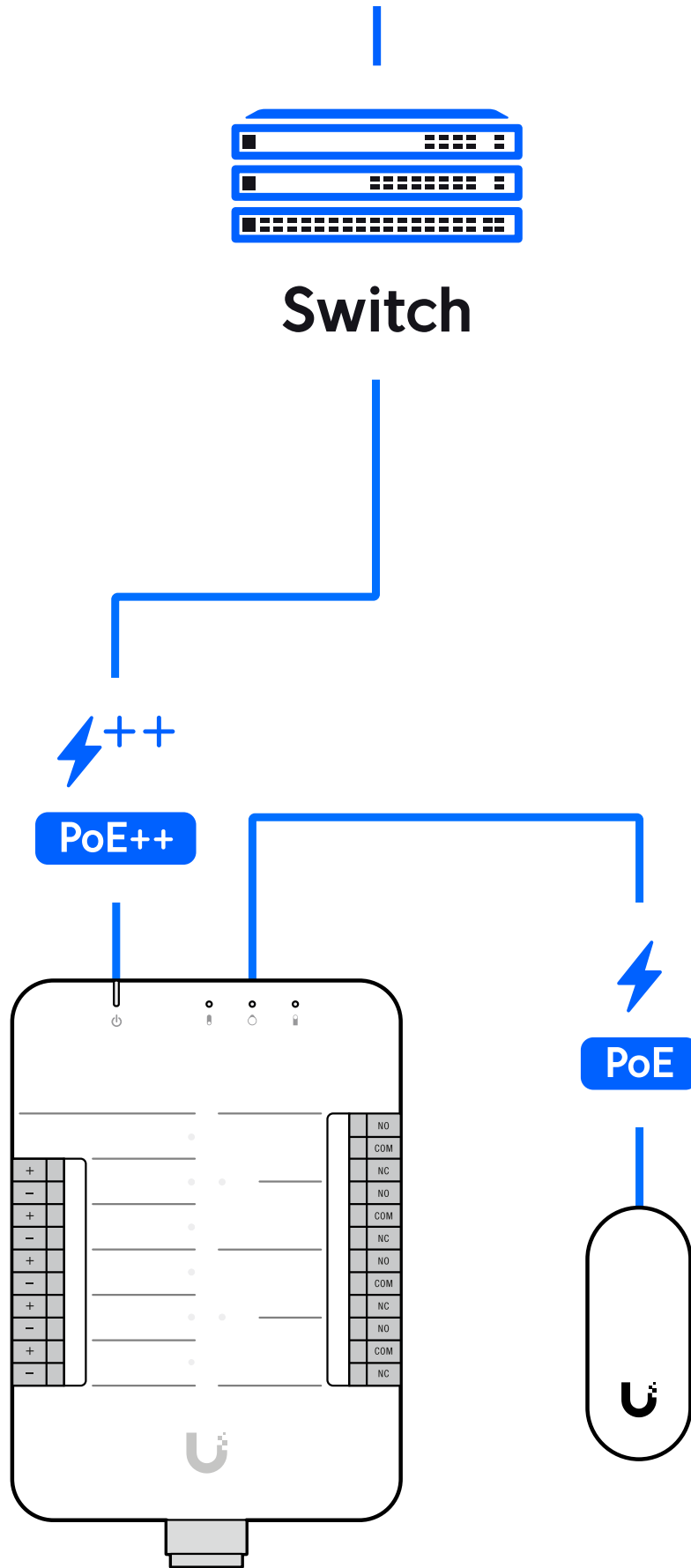


Internet

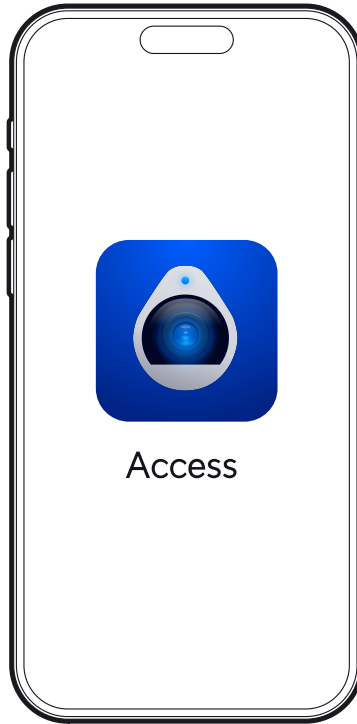
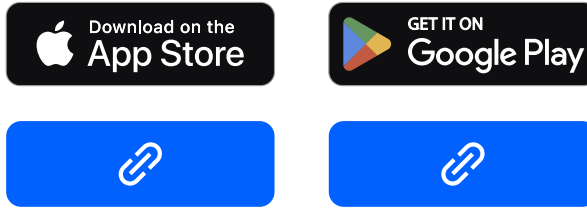


UniFi Gateway Console





3



If you need further assistance, visit our [Help Center](#) or contact [Ubiquiti Support](#).

©2019-2021 Ubiquiti Inc. All rights reserved. Ubiquiti, Ubiquiti Networks, the Ubiquiti U logo, UniFi Access, and UniFi are trademarks or registered trademarks of Ubiquiti Inc. in the United States and in other countries. All other trademarks are the property of their respective owners.

