

# Omni Antenna

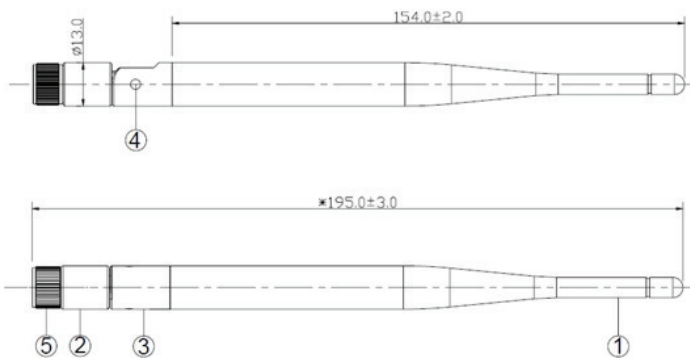
ANT-219 Technical Sheet

## Applications

- GSM/3G/4G LTE
- Extending indoor 3G/4G and LTE coverage

## Features

- Compatible with Vertical or Horizontal Polarisation



## Specifications

Model	ANT-219
Frequency Range (MHz)	698~960/1710~2700
Gain (dBi)	3
VSWR	≤3.0
Impedance Ω	50
Polarisation	Linear, vertical or horizontal
Connector	SMA Male
Operating Temperature (°C)	-40~+85
Vibration (Hz)	10 - 55 with 1.5mm amplitude 2hours
Environmentally Friendly	ROHS Compliant

