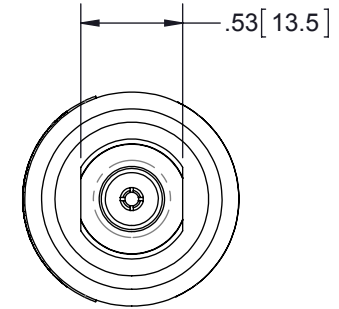
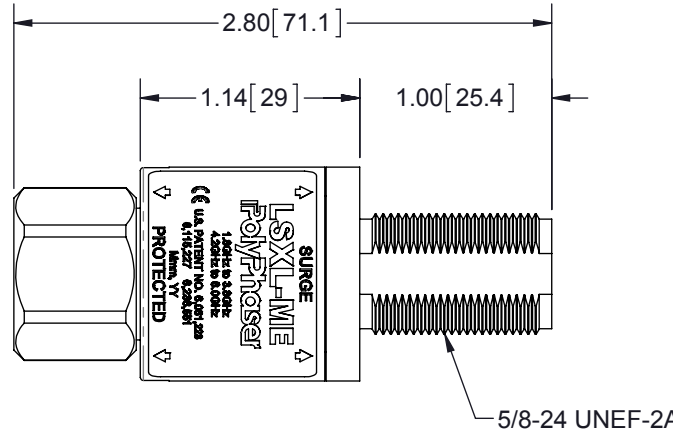
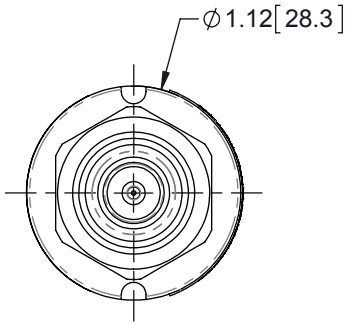


REVISIONS				
REV.	DESCRIPTION	ECN	DATE	APPROVED
F	REFER TO ECN	11951	8/20/13	JLJ



**MAXIMUM CHARACTERISTICS**

**APPLICATION:**

- DC BLOCK/RF ONLY
- BULKHEAD MOUNT
- WEATHERPROOF WHEN INSTALLED

**SURGE:**

18kA IEC 61000-4-5 8/20µs WAVEFORM

**FREQUENCY RANGE:**

- 1.8GHz TO 3.8GHz
- 4.2GHz TO 6.0GHz

**VSWR:**

- ≤1.2:1 TYPICAL
- ≤1.3:1 MAX

**INSERTION LOSS:**

≤0.2dB

**CONTINUOUS POWER:**

10W

**LET THROUGH VOLTAGE:**

±3 VOLTS FOR 3kA @ 8/20µs WAVEFORM

**THROUGHPUT ENERGY:**

≤0.5µJ FOR 3kA @8/20µs WAVEFORM

**TEMPERATURE:**

-40°C TO +85°C STORAGE/OPERATING

**VIBRATION:**

1G AT 5Hz TO 100Hz

**ENVIRONMENTAL:**

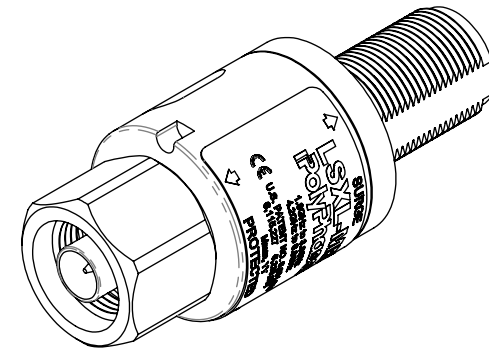
- MEETS IEC 60529 IP65.
- MEETS BELLCORE #TA-NWT-000487
- PROCEDURE 4.11, WIND DRIVEN (120MPH)
- RAIN INTRUSION TEST.

**CE COMPLIANT**

**RoHS COMPLIANT**

**HARDWARE KIT INCLUDES:**

QTY	DESCRIPTION
1	NUT 5/8-24 303 HEX SS
1	WASHER 5/8 410 SS
1	SILICONE O-RING 019



CUSTOMER APPROVAL: \_\_\_\_\_ DATE: \_\_\_\_\_

ALL DIMENSIONS SHOWN ARE FOR REFERENCE ONLY.

<small>UNLESS OTHERWISE SPECIFIED LEADING DIMENSIONS ARE INCHES DIMENSIONS IN [ ] ARE MILLIMETERS</small> <b>TOLERANCES:</b> FRACTIONS=± 1/32 .XX=± .03 ANGLES=± 1° .XXX=± .010 <small>NOTICE: THE INFORMATION AND DESIGN IN THIS DOCUMENT IS THE PROPERTY OF POLYPHASER CORPORATION. ALL RIGHTS RESERVED.</small>	DRAWN RJS 12/8/03 ENG APPD JLJ 12/8/03 PRODUCT MGR LCJ 12/18/03 MARKETING APPD SJD 12/18/03 PROJECT NO.		SHEET 1 OF 1 SCALE 1:1
	DOCUMENT NAME LSXL-ME-C SIZE A CAGE 61114 PROD CAT RFP PART NUMBER LSXL-ME REV F		TITLE <b>CELL FILT</b> <b>2GHz-6GHz</b> CUSTOMER SPECIFICATION
	<small>THIRD-ANGLE PROJECTION</small> 		

THESE COMMODITIES, TECHNOLOGY OR SOFTWARE WERE EXPORTED FROM THE UNITED STATES IN ACCORDANCE WITH THE EXPORT ADMINISTRATION REGULATIONS. DIVERSION CONTRARY TO U.S. LAW PROHIBITED.