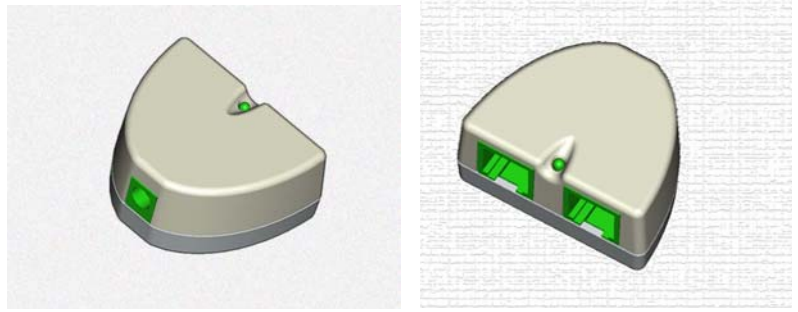


1. Features :

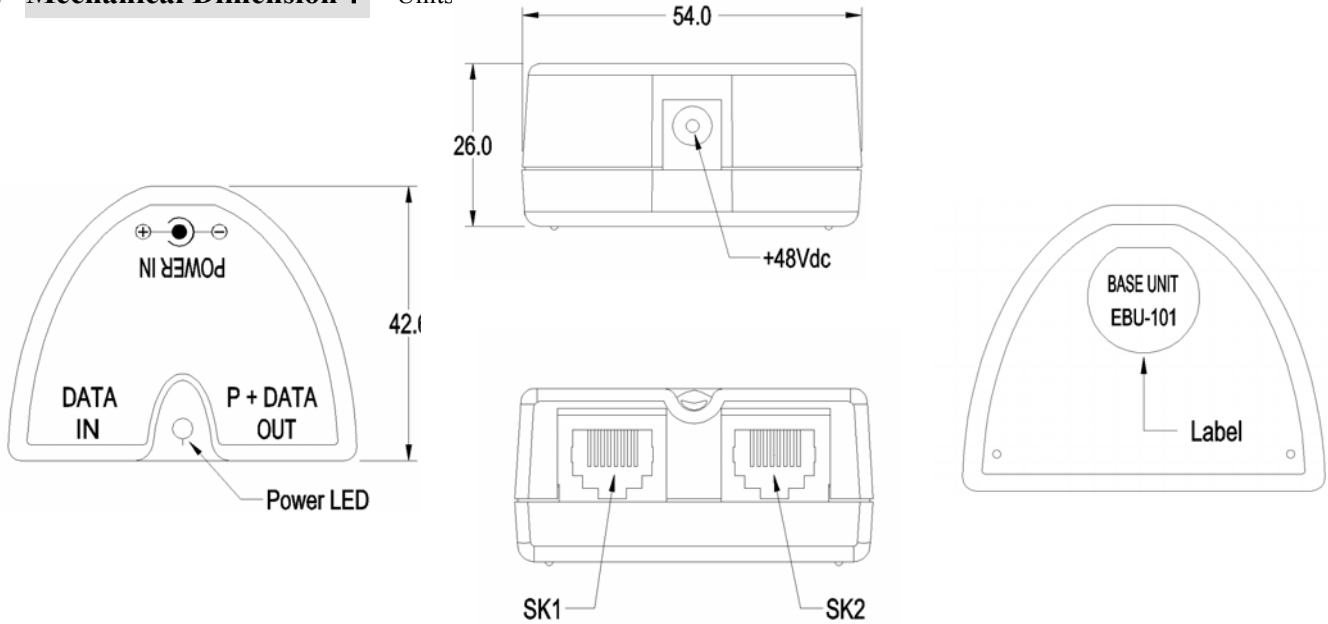
- 1.1. RJ-45 Input / Output Connector
- 1.2. Input / Output Common Ground
- 1.3. Power / Data Mixer
- 1.4. Ethernet Switches expand to Wireless Access Point



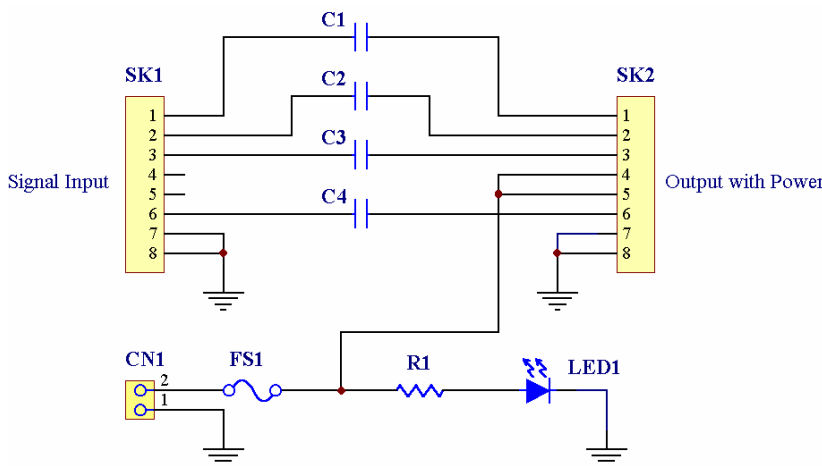
2. Input / Output Specifications :

- 2.1. DC Input Voltage : $48V \pm 5\%$ * Applied from External Switching Adapter (90 ~ 264Vac)
- 2.2. DC Output Voltage & Current : $48V \pm 5\% / 0.4A \text{ Max.}$ @ SK2 Pin # 4, 5 (+48V), Pin # 7, 8 (GND)
FS1 is Multi-Fuse, $I_H = 1.1A$, $I_T = 2.2A$

3. Mechanical Dimension : Units



4.



* C1,C2,C3 & C4 is 0.1uF / 50V MLCC Capacitor

Pin	Input SK1	Output SK2	Pin
1	Tx (+)	Tx (+)	1
2	Tx (-)	Tx (-)	2
3	Rx (+)	Rx (+)	3
4	N.C.	+48V	4
5	N.C.	+48V	5
6	Rx (-)	Rx (-)	6
7	GND	GND	7
8	GND	GND	8

