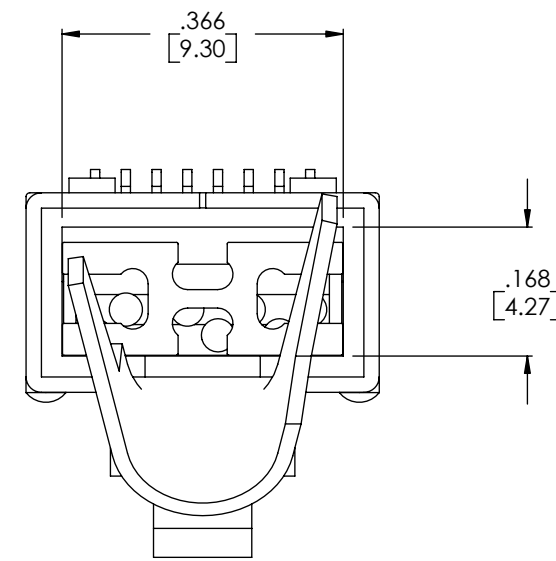
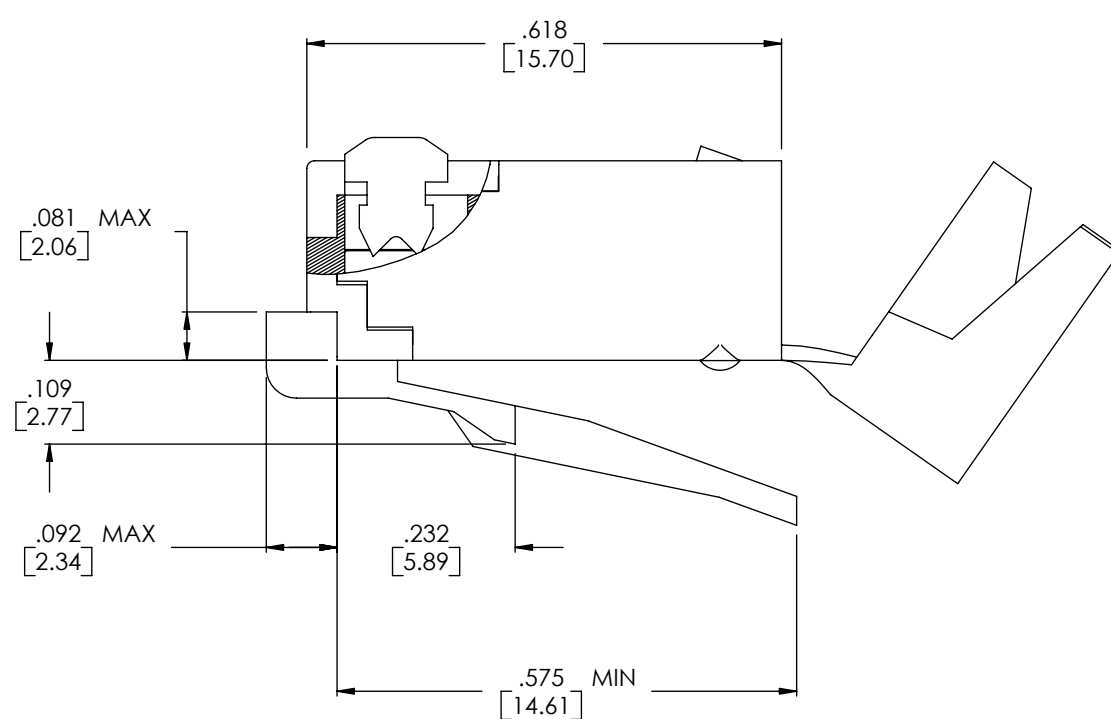
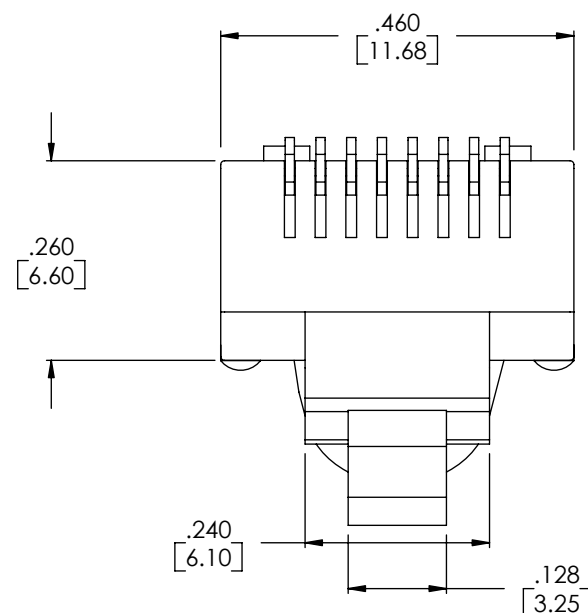
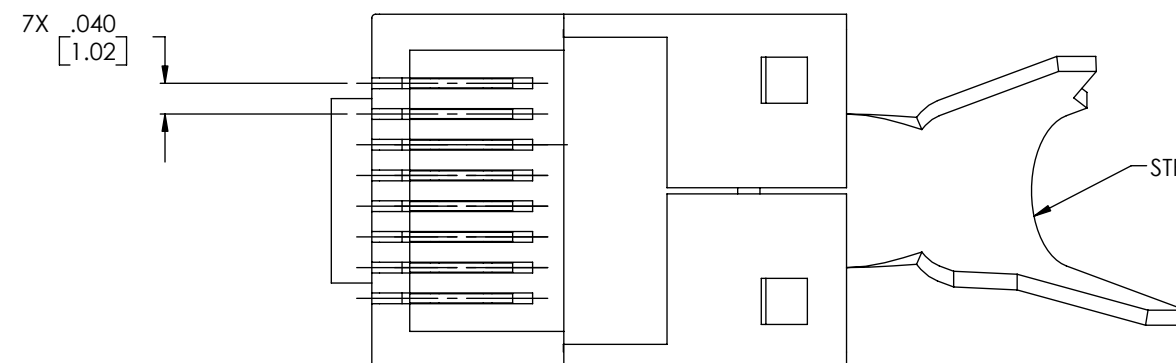


THE INFORMATION CONTAINED IN THIS DRAWING IS THE SOLE PROPERTY OF L-COM, INC. ANY REPRODUCTIONS IN PART OR WHOLE WITHOUT THE WRITTEN PERMISSION OF L-COM, INC. IS PROHIBITED.

REVISIONS			
REV	DESCRIPTION	DATE	CHANGED BY
A	INITIAL RELEASE	03/22/06	D. PARHAM
B	ECN#2347: CONDUCTOR MAX OD WAS .039"	03/24/06	D. PARHAM
C	ECN 2587: REDIMENSION AND REFORMAT	10/30/2006	J. KIEZULAS
D	ECN3213: ADDED PACKAGING SPECIFICATION NOTE	03/03/08	D. PARHAM

D  
C  
B  
A

D  
C  
B  
A



**NOTES:**

**MATERIAL:**  
HOUSING, LOAD BAR, PAIR SEPARATOR: POLYCARBONATE, CLEAR, UL94V-0  
CONTACTS: PHOSPHOR BRONZE  
SHIELD/STRAIN RELIEF: BRASS

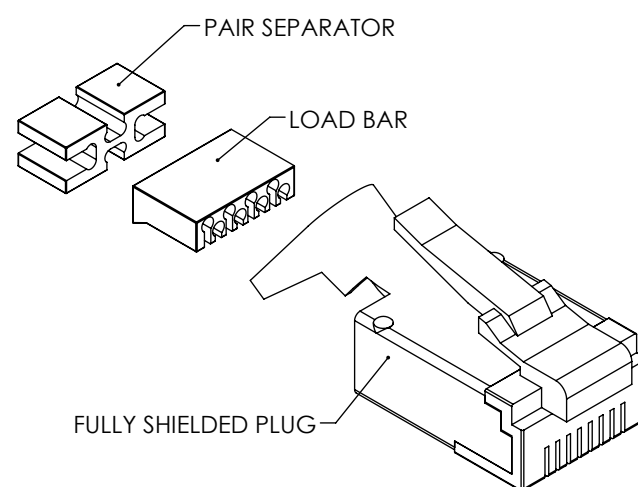
**FINISH:**  
CONTACTS: 50 MICROINCHES [1.27 MICRON] MIN. GOLD IN CONTACT AREA  
OVER 100 MICROINCHES [2.54 MICRON] MIN. NICKEL PLATE OVERALL.  
CONTACT MATING SURFACE TO BE ELECTROPOLISHED  
SHIELD/STRAIN RELIEF: 100 MICROINCHES [2.54 MICRON] NICKEL

**ELECTRICAL:**  
VOLTAGE: 125 VAC. MAX.  
CURRENT: 1.5 AMPS MAX.

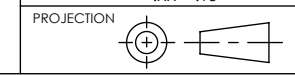
**MECHANICAL:**  
CONTACT STYLE: 2 PRONG  
COMPATIBLE WITH STRANDED AND SOLID CONDUCTORS  
CONDUCTOR RANGE: 24 - 26 AWG  
MAX. CONDUCTOR INSULATION DIAMETER: .042 [1.07]  
PARTS SHALL CONFORM TO TIA-1096

**MISCELLANEOUS:**  
OPERATING TEMPERATURE RANGE: -40°C TO +125°C  
TERMINATED CONTACT HEIGHT: .237±.005 [6.02±.13]  
FOR TERMINATION OR TOOLING INFORMATION PLEASE VISIT  
THE APPROPRIATE PRODUCT PAGE AT WWW.L-COM.COM  
PARTS SHALL BE ROHS COMPLIANT

PACKAGE PER PS-0027.



UNLESS OTHERWISE SPECIFIED,  
DIMENSIONS ARE IN INCHES [mm]  
OVERALL CABLE LENGTH TOLERANCE:  
≤12 [305] = +1 [25] / -0  
>12 [305] - 60 [1524] = +2 [51] / -0  
>60 [1524] - 120 [3048] = +4 [102] / -0  
>120 [3048] - 300 [7620] = +6 [152] / -0  
>300 [7620] = +5% / -0%  
DIMENSIONAL TOLERANCE:  
.X = .3  
.XX = .15



APPROVALS	DATE
D. PARHAM	03/09/2006
J. KIEZULAS	03/22/2006
C. McCORMICK	03/22/2006

<b>L-com</b> CONNECTIVITY PRODUCTS		45 BEECHWOOD DRIVE NORTH ANDOVER, MA 01845	
CATEGORY		MODULAR	
PRODUCT DESCRIPTION			
(8X8) CAT 6 SHIELDED PLUG FOR ROUND CABLE			
SIZE	FSCM NO.	DWG. NO.	REV.
<b>B</b>	<b>43321</b>	TDS8PC6	<b>D</b>
SCALE: 4:1		CAD FILE: TDS8PC6.SLDDRW	SHEET 1 OF 1

8 7 6 5 4 3 2 1