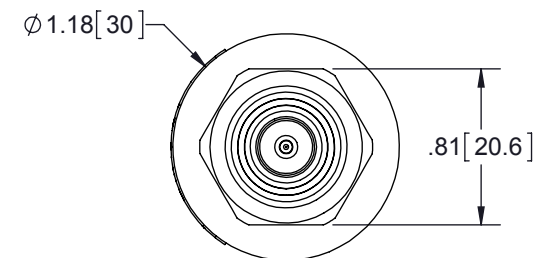
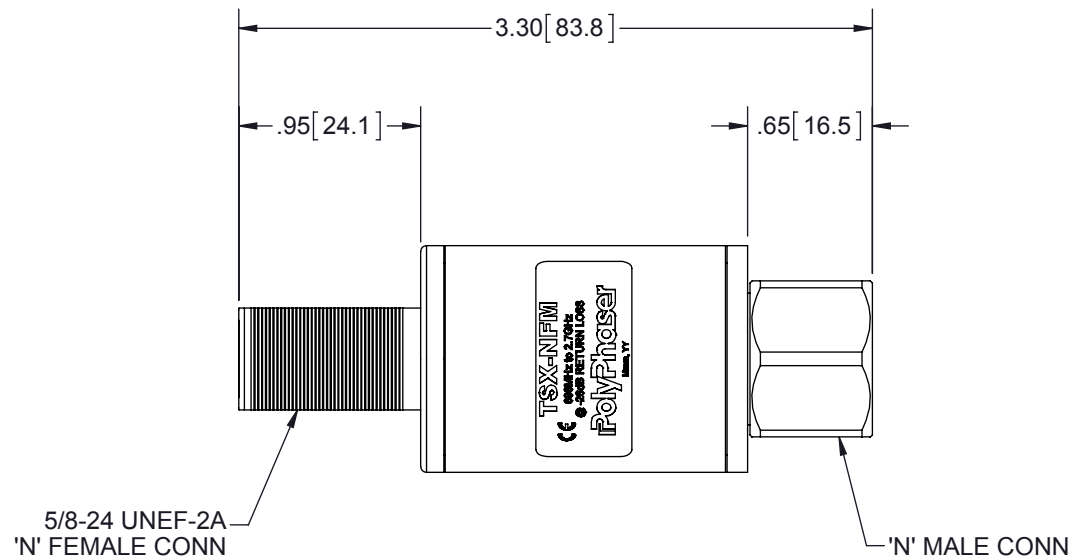
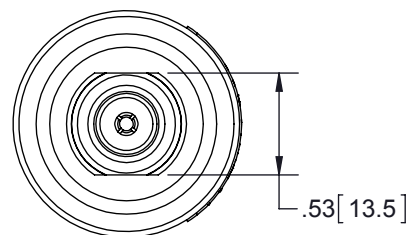
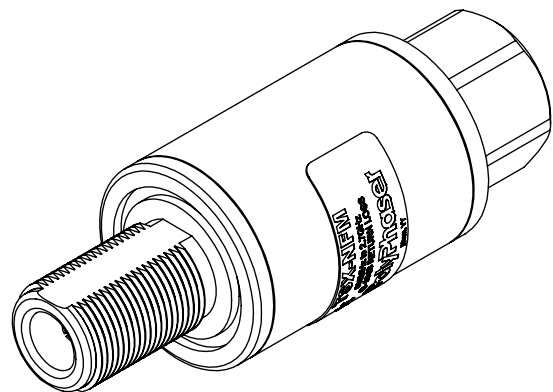


REVISIONS				
REV.	DESCRIPTION	ECN	DATE	APPROVED
F	REFER TO ECN	11930	8/16/13	JLJ



MAXIMUM CHARACTERISTICS

APPLICATION:
 DC BLOCK/RF ONLY
 BULKHEAD MOUNT BI-DIRECTIONAL
 WEATHERPROOF WHEN INSTALLED

FREQUENCY RANGE:
 698MHz TO 2.7GHz @ -26dB RETURN LOSS

MAX SURGE:
 IEC 61000-4-5 8/20µs WAVEFORM
 40kA MAX
 20kA MULTIPLE

INSERTION LOSS:
 ≤0.1dB

CONTINUOUS POWER:
 500W @ 920MHz
 (750W @ 50°C)

LET THROUGH VOLTAGE:
 ≤±200mV FOR 3kA @ 8/20µs WAVEFORM

THROUGHPUT ENERGY:
 ≤5nJ FOR 3kA @ 8/20µs WAVEFORM

TEMPERATURE:
 -50°C TO +85°C STORAGE/OPERATING

VIBRATION:
 1G @ 5Hz TO 100Hz

MATERIAL:
 BODY: TRI-PLATED BRASS
 PTFE: DIELECTRIC
 CENTER PINS: TRI-M

ENVIRONMENTAL:
 MEETS IEC 60529 IP67
 MEETS BELLCORE #TA-NWT-000487
 PROCEDURE 4.11, 120MPH WIND DRIVEN
 RAIN INTRUSION TEST

CE COMPLIANT
RoHS COMPLIANT

HARDWARE KIT INCLUDES:

QTY	DESCRIPTION
1	5/8 MOUNTING NUT
1	INT TOOTH LOCKWASER
1	O-RING

CUSTOMER APPROVAL: _____ DATE: _____

ALL DIMENSIONS SHOWN ARE FOR REFERENCE ONLY.

THESE COMMODITIES, TECHNOLOGY OR SOFTWARE WERE EXPORTED FROM THE UNITED STATES IN ACCORDANCE WITH THE EXPORT ADMINISTRATION REGULATIONS. DIVERSION CONTRARY TO U.S. LAW PROHIBITED.

UNLESS OTHERWISE SPECIFIED LEADING DIMENSIONS ARE INCHES DIMENSIONS IN [] ARE MILLIMETERS		DRAWN RD 02/08/12			
TOLERANCES: FRACTIONS=± 1/32 .XX=± .01 ANGLES=± 1° .XXX=± .005		ENG APPD JJ 5/16/12			
MATERIAL		PRODUCT MGR CP JJ			
THIRD-ANGLE PROJECTION		MARKETING APPD LJ 5/16/12			
		PROJECT NO.		TITLE BI-DIRECTIONAL BROADBAND DC BLOCK FILTER 'N'	
NOTICE: THE INFORMATION AND DESIGN IN THIS DOCUMENT IS THE PROPERTY OF TRANSECTOR SYSTEMS. ALL RIGHTS RESERVED.		SIZE B	CAGE 61114	PART NUMBER TSX-NFM	REV F
		SCALE 1:1	PROD CAT RFP	DOCUMENT NAME TSX-NFM-C	SHEET 1 OF 1