

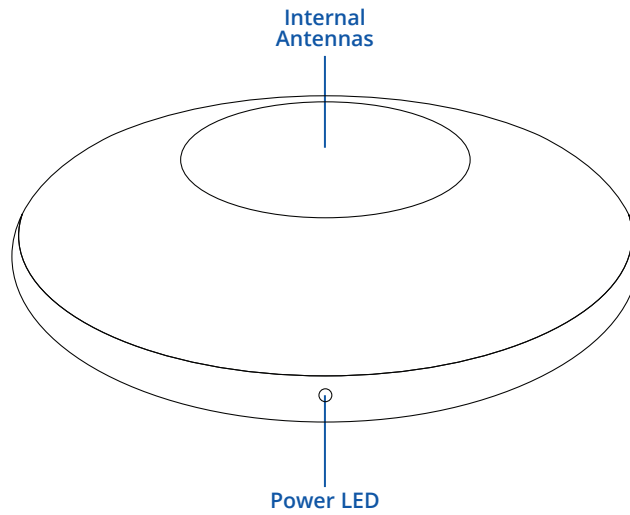


TAP200

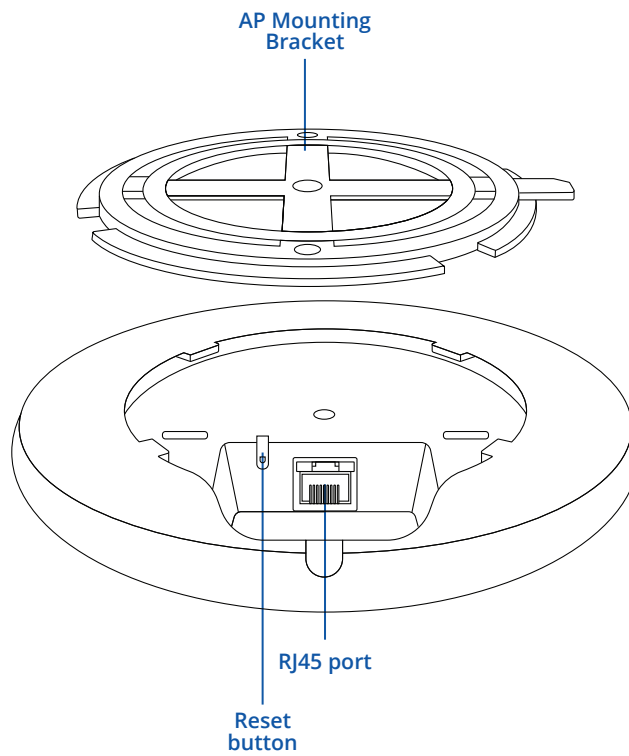


HARDWARE

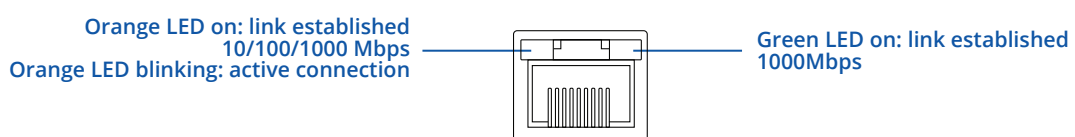
TOP VIEW



BOTTOM VIEW



RJ45 LED MEANING



FEATURES

ETHERNET

ETHERNET	1x RJ45 10/100/1000 Mbps, compliance with IEEE 802.3, IEEE 802.3u, 802.3az standards, supports auto MDI/MDIX crossover
----------	--

WIRELESS

Wireless mode	802.11b/g/n/ac Wave 2 (Wi-Fi 5) with data transmission rates up to 867 Mbps (Dual Band, MU-MIMO)
Wi-Fi security	WPA2-EAP/WPA3-EAP Mixed Mode, WPA3-EAP, WPA2-PSK/WPA3-SAE Mixed Mode, WPA3-SAE, OWE, WPA-PSK/WPA2-PSK Mixed Mode, WPA2-PSK, WPA2-EAP; AES-CCMP, TKIP, Auto Cipher modes, isolate clients
ESSID	ESSID stealth mode (Hide SSID)
Wi-Fi users	Up to 100 simultaneous connections
Wireless Connectivity Features	Fast roaming (802.11r)
Wireless MAC filter	Whitelist, blacklist

NETWORK

Network protocols	TCP, UDP, IPv4, IPv6, ICMP, HTTP, HTTPS, SSL/TLS, ARP, SSH, DHCP client, SNMP
-------------------	---

SECURITY

Authentication	SSH key based, HTTPS, CLI, IP & Login attempts block
VLAN	Tag-based VLAN separation

MONITORING & MANAGEMENT

WEB UI	HTTP/HTTPS, status, configuration, FW update, CLI, troubleshoot, event log, system log, kernel log
FOTA	Firmware update from server, automatic notification
SSH	SSH (v1, v2)
JSON-RPC	Management API over HTTP/HTTPS
RMS	Teltonika Remote Management System (RMS)

SYSTEM CHARACTERISTICS

CPU	MediaTek, Dual-Core, 880 MHz, MIPS 1004Kc
RAM	256 MB, DDR3
FLASH storage	16MB, SPI NOR Flash

FIRMWARE/CONFIGURATION

WEB UI	Update FW from file, check FW on server, configuration profiles, configuration backup
FOTA	Update FW
RMS	Update FW/configuration for multiple devices at once
Keep settings	Update FW without losing current configuration

FIRMWARE CUSTOMIZATION

Operating system	RutOS (OpenWrt based Linux OS)
Supported languages	Busybox shell, Lua, C, C++
Development tools	SDK package with build environment provided

POWER

Connector	RJ45 Socket
Input voltage range	44.0 – 57.0 V
PoE standards	802.3af PoE Class 1
Power consumption	Idle: < 4 W / Max: < 5.5 W

PHYSICAL INTERFACES

Ethernet	1 x RJ45 10/100/1000 Mbps
Status LEDs	1 x Power LED (can be turned off from web-UI)
Antennas	2 x Internal for 2.4 GHz Wi-Fi, 2 x Internal for 5 GHz Wi-Fi
Antennas specifications	2 x 2400 - 2500 MHz, 50 Ω, VSWR <2.7, gain < 4.9 dBi, omnidirectional 2 x 5150 - 5850 MHz, 50 Ω, VSWR <2, gain < 5.02 dBi, omnidirectional
Reset	Reboot/User default reset/Factory reset button

PHYSICAL SPECIFICATION

Casing material	UV stabilized plastic
Dimensions (W x H x D)	Ø 158 mm x 30 mm
Weight	190 g
Mounting options	AP Mounting Bracket (for ceiling mount)

OPERATING ENVIRONMENT

Operating temperature	-40 °C to 75 °C
Operating humidity	10% to 90% non-condensing for all our devices.
Ingress Protection Rating	IP30

REGULATORY & TYPE APPROVALS

Regulatory	CE, UKCA, FCC, IC, RCM, CB, EAC, UCRF, WEEE
------------	---

EMI IMMUNITY

Standards	EN 55032:2015+A11:2020 EN 55035:2017+A11:2020 EN 61000-3-3:2013+A1:2019+A2:2021 EN IEC 61000-3-2:2019+A1:2021 EN 301 489-1 V2.2.3 EN 301 489-17 V3.2.4
ESD	EN 61000-4-2:2009
RS	EN IEC 61000-4-3:2020
EFT	EN 61000-4-4:2012
Surge protection	EN 61000-4-5:2014+A1:2017
CS	EN 61000-4-6:2014
DIP	EN IEC 61000-4-11:2020

RF

Standards	EN 300 328 V2.2.2; EN 300 893 V2.1.1; EN 300 440 V2.2.1
-----------	---

SAFETY

Standards	IEC 62368-1:2018 EN IEC 62368-1:2020+A11:2020 EN IEC 62311:2020
-----------	---

WHAT'S IN THE BOX?

STANDARD PACKAGE CONTAINS

- TAP200 Access point
- QSG (Quick Start Guide)
- Wi-Fi Information sticker
- Packaging box



STANDARD ORDER CODES

PRODUCT CODE	HS CODE	HTS CODE	PACKAGE CONTAINS
TAP200 00000	851762	8517.62.00	Standard Package
TAP200 00300	851762	8517.62.00	Standard package with 15 W PoE Injector

For more information on all available packaging options – please contact us directly.

TAP200 SPATIAL MEASUREMENTS & WEIGHT

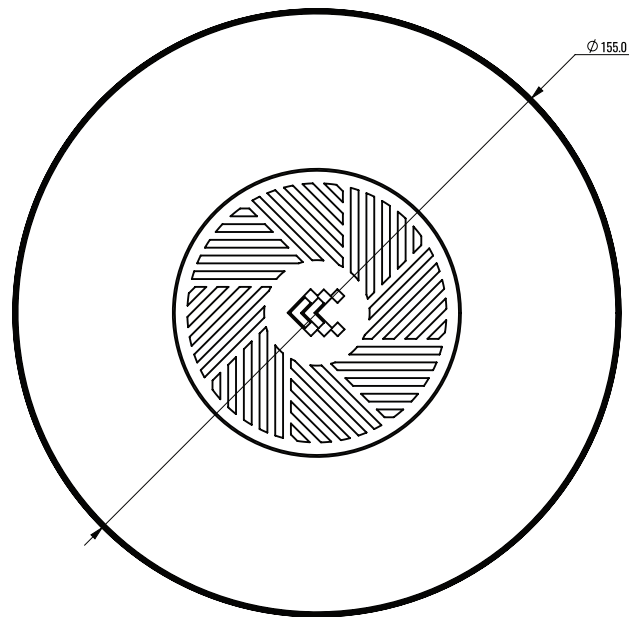
MAIN MEASUREMENTS

Dimensions for TAP200:

Device housing*: \varnothing 158 mm x 30 mm
 Box: 355 mm x 175 mm x 60 mm

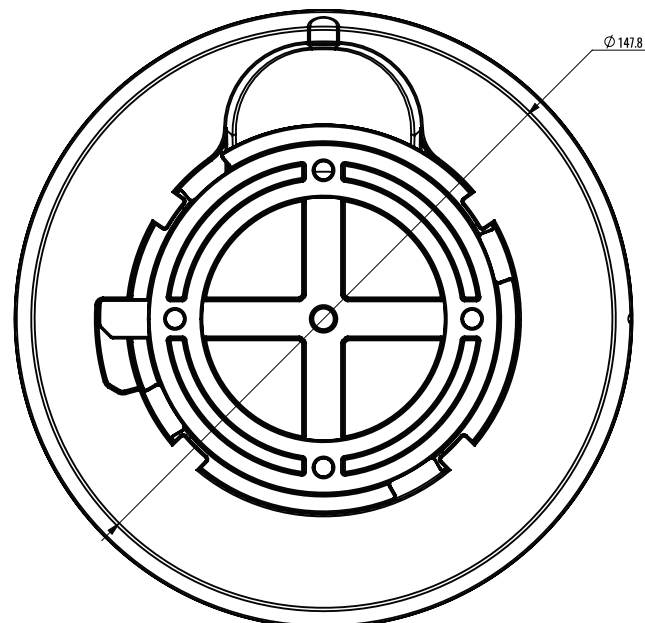
TOP VIEW

The figure below depicts the measurements of TAP200 and its components as seen from the top:



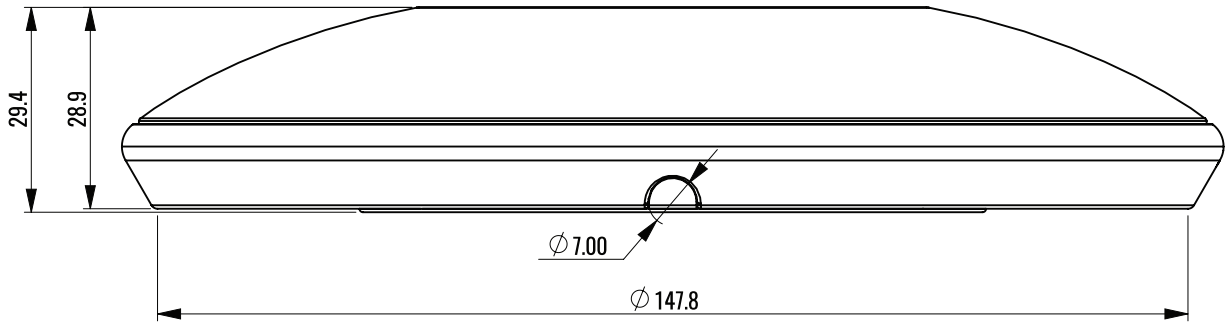
BOTTOM VIEW

The figure below depicts the measurements of TAP200 and its components as seen from the bottom side:



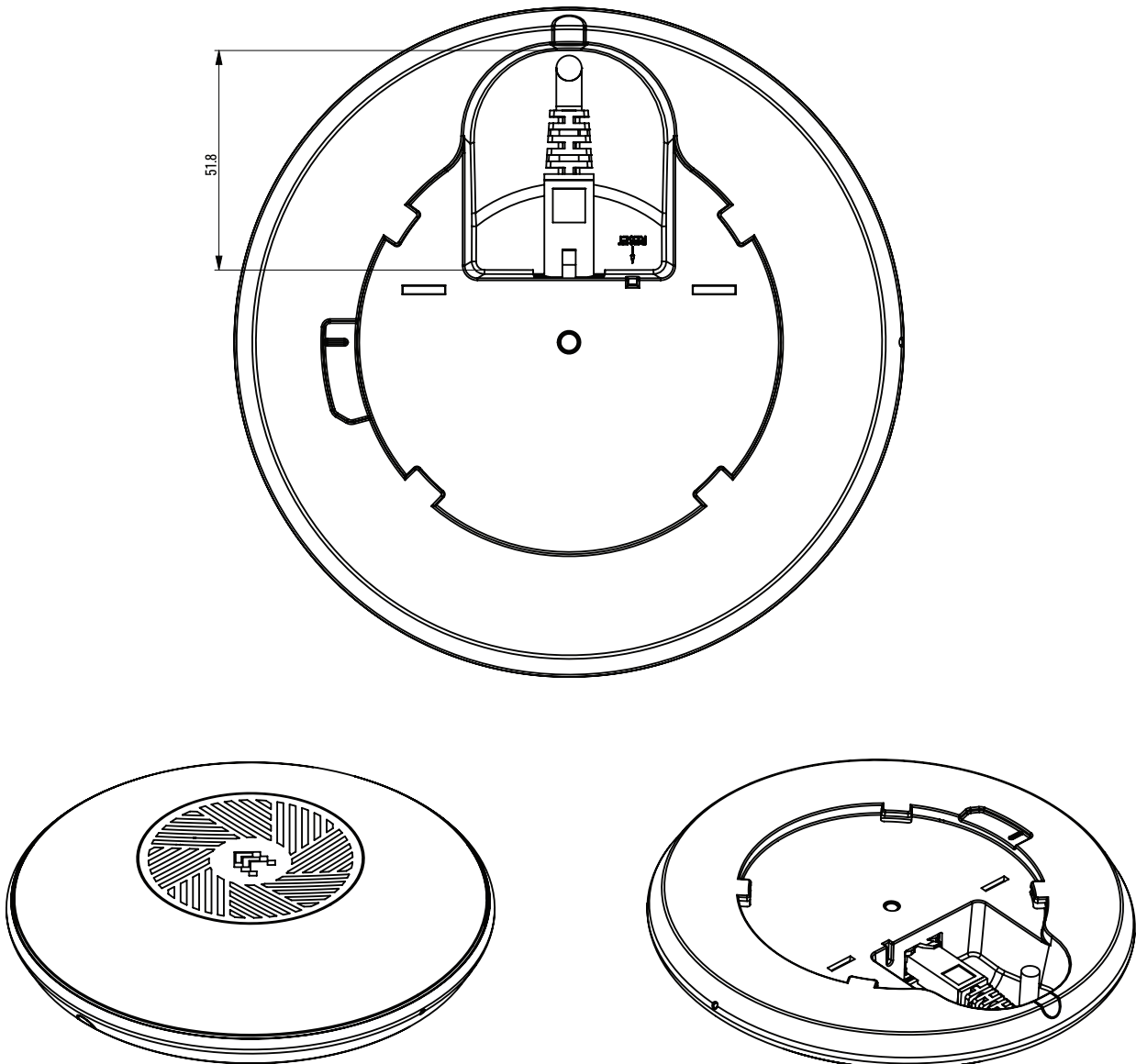
SIDE VIEW

The figure below depicts the measurements of TAP200 and its components as seen from the front panel side:



MOUNTING SPACE REQUIREMENTS

The figure below depicts an approximation of the device's dimensions when cables and antennas are attached:



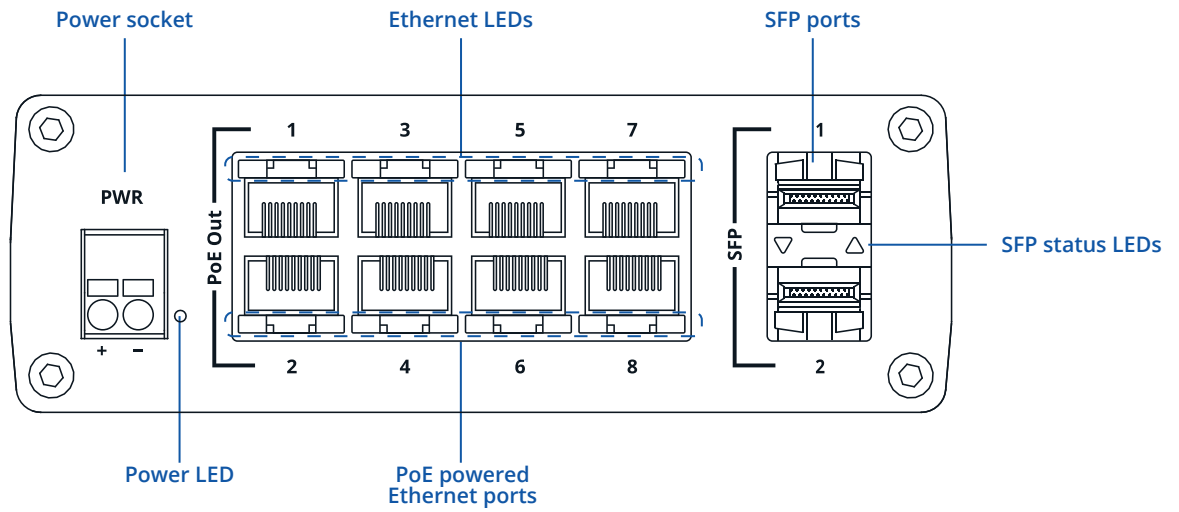


TSW200

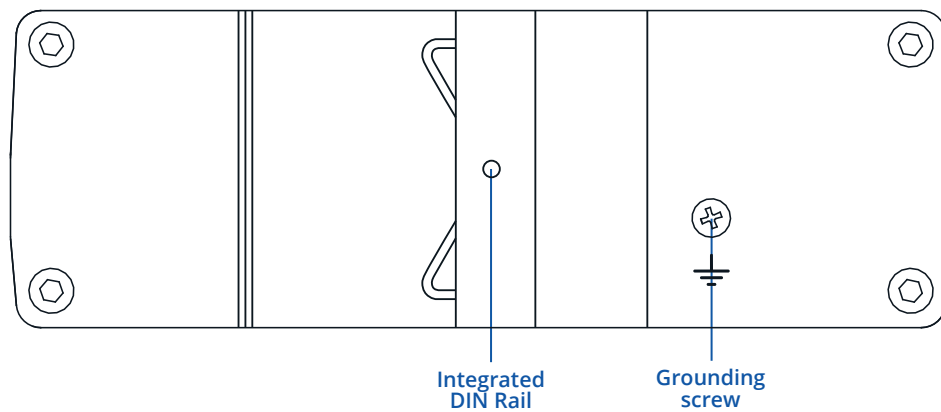


HARDWARE

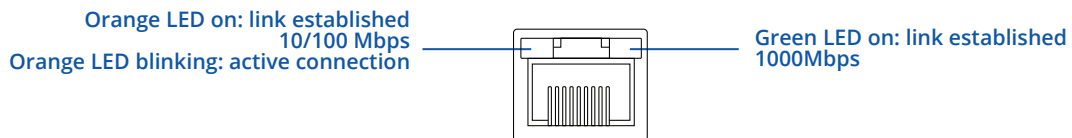
FRONT VIEW



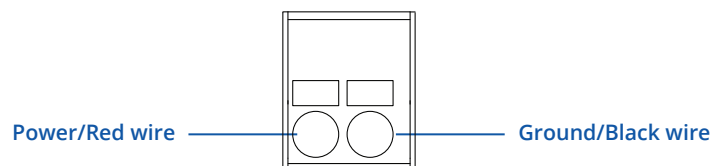
BACK VIEW



RJ45 LED MEANING



POWER SOCKET PINOUT



FEATURES

ETHERNET

LAN	8 x ETH ports, 10/100/1000 Mbps, supports auto MDI/MDIX crossover
Fiber	2 x SFP ports
IEEE 802.3 series standards	802.3i, 802.3u, 802.3ab, 802.3x, 802.3az

POE

PoE ports	Port 1 - 8
PoE standards	802.3af and 802.3at Alternative B
PoE Max Power per Port (at PSE)	30 W
Total PoE Power Budget (at PSE)	240 W

PERFORMANCE SPECIFICATIONS

Bandwidth (Non-blocking)	20 Gbps
Packer buffer	128 KB
MAC address table size	2K entries
Jumbo frame support	9216 bytes

POWER

Connector	2-pin industrial DC power socket
Input voltage range	7 - 57 VDC
PoE-out input voltage range	44 - 57 VDC
Power consumption	Idle: 1.81 W / Max: 5.5 W / PoE Max: 245.5 W

PHYSICAL INTERFACES

Ethernet	8 x RJ45 ports, 10/100/1000 Mbps
Fiber	2 x SFP ports
Status LEDs	1 x Power LED, 16 x LAN status LEDs 2 x SFP status LEDs
Power	1 x 2-pin industrial DC power socket
Other	1 x Grounding screw

PHYSICAL SPECIFICATION

Casing material	Full aluminum housing
Dimensions (W x H x D)	132 x 44.2 x 95.1 mm
Weight	517 g
Mounting options	Integrated DIN rail bracket, wall mount, flat surface (additional kit needed)

OPERATING ENVIRONMENT

Operating temperature	-40 °C to 75 °C
Operating humidity	10% to 90% non-condensing
Ingress Protection Rating	IP30

REGULATORY & TYPE APPROVALS

Regulatory	CE, UKCA, CITC, ANRT, FCC, IC, CB
------------	-----------------------------------

EMC EMISSIONS & IMMUNITY

Standards	EN 55032:2015 + A1:2020 EN 55035:2017 + A11:2020 EN IEC 61000-3-2:2019 + A1:2021 EN 61000-3-3:2013 + A1:2019
ESD	EN 61000-4-2:2009
Radiated Immunity	EN IEC 61000-4-3:2020
EFT	EN 61000-4-4:2012
Surge Immunity (AC Mains Power Port)	EN 61000-4-5:2014 + A1:2017
CS	EN 61000-4-6:2014
DIP	EN IEC 61000-4-11:2020

SAFETY

Standards	IEC 62368-1:2018 EN IEC 62368-1:2020+A11:2020
-----------	--

STANDARD PACKAGE*

- TSW200
- QSG (Quick Start Guide)
- Packaging box



* Standard package contents may differ based on standard order codes.

CLASSIFICATION CODES

HS Code: 851762

HTS: 8517.62.00

For more information on all available packaging options – please contact us directly.

AVAILABLE VERSIONS

HARDWARE VERSION	SUPPORTED FREQUENCIES	STANDARD ORDER CODE / PACKAGE CONTAINS
TSW200 *****	N/A	TSW200000050 / Standard package without PSU TSW200000040 / Standard package with EU PSU without connector TSW200000070 / Standard package with US PSU without connector TSW200000090 / Standard package with UK PSU without connector TSW200000080 / Mass packing code

TSW200 SPATIAL MEASUREMENTS

MAIN MEASUREMENTS

W x H x D dimensions for TSW200:

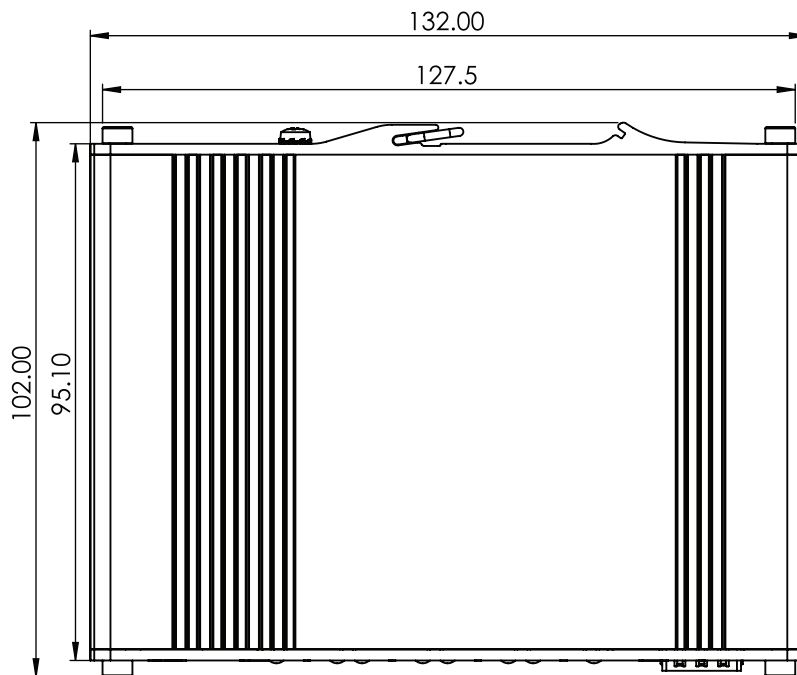
Device housing*: 132 x 44.2 x 95.1 mm

Box: 173 x 71 x 148 mm

*Housing measurements are presented without antenna connectors and screws; for measurements of other device elements look to the sections below.

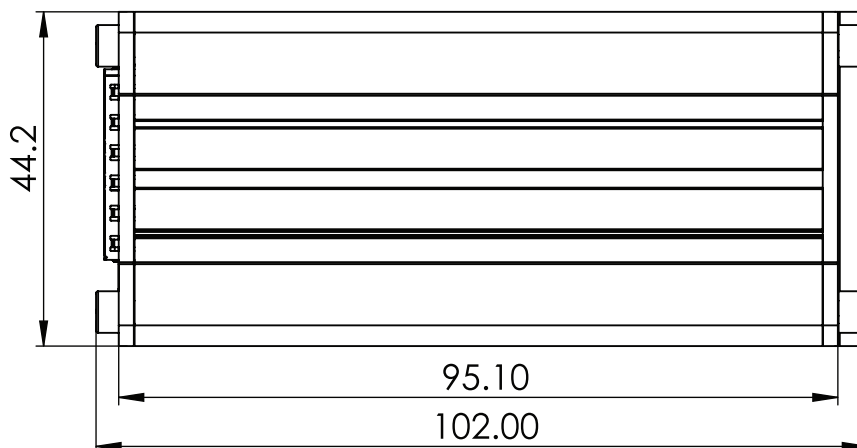
TOP VIEW

The figure below depicts the measurements of TSW200 and its components as seen from the top:



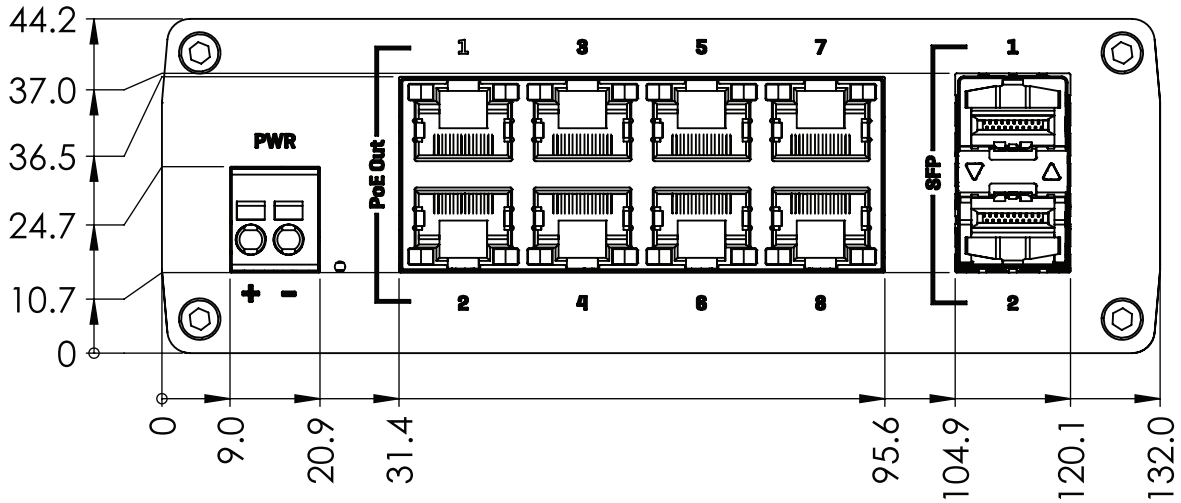
RIGHT VIEW

The figure below depicts the measurements of TSW200 and its components as seen from the right side:



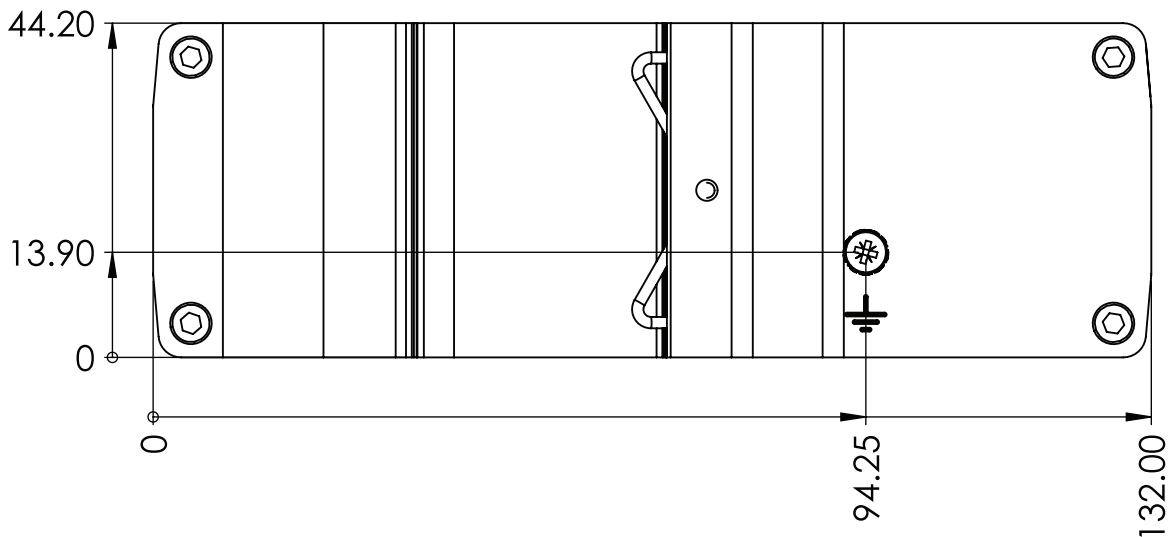
FRONT VIEW

The figure below depicts the measurements of TSW200 and its components as seen from the front panel side:



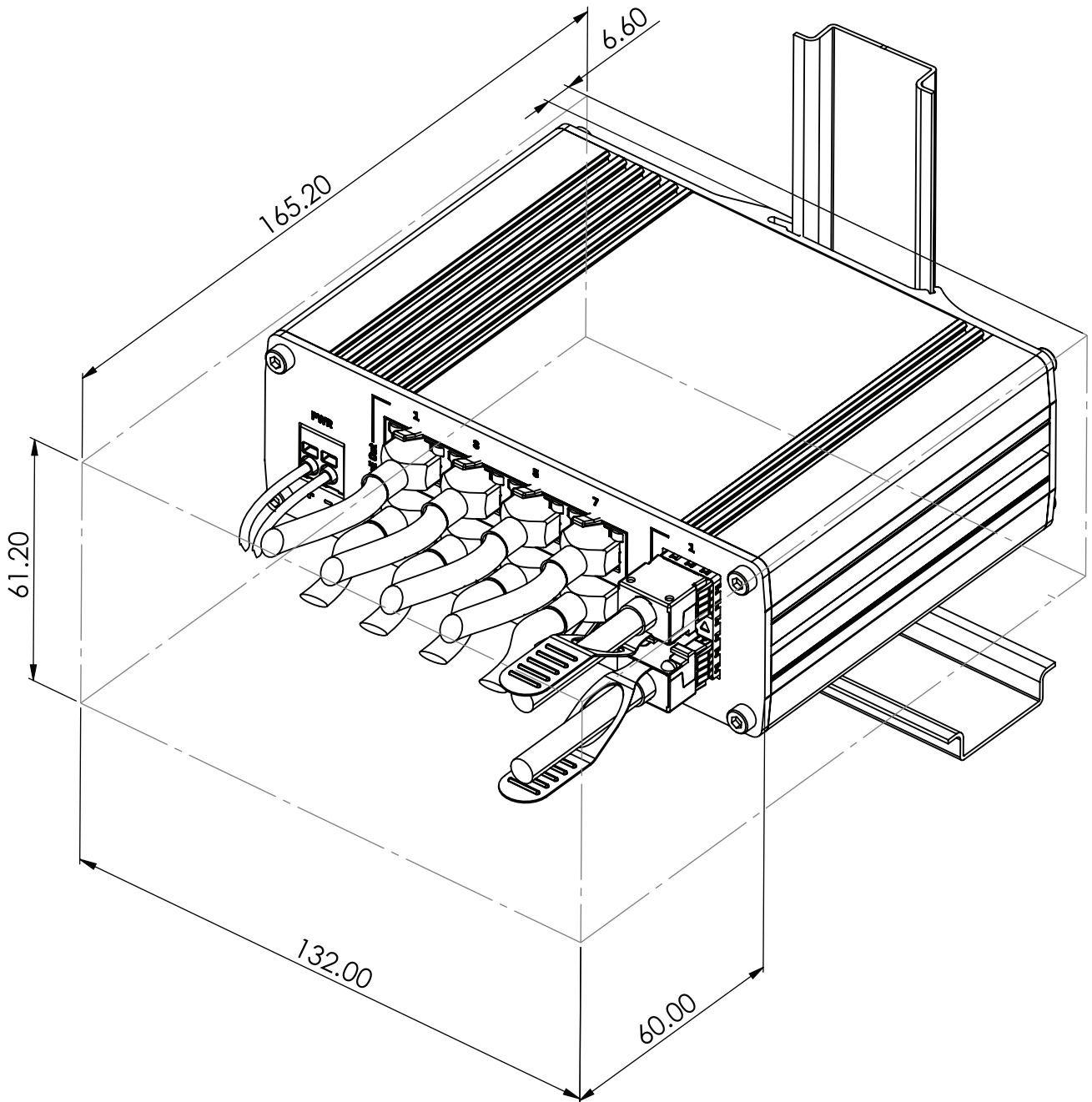
REAR VIEW

The figure below depicts the measurements of TSW200 and its components as seen from the back panel side:



MOUNTING SPACE REQUIREMENTS

The figure below depicts an approximation of the device's dimensions when cables and antennas are attached:



DIN RAIL

The scheme below depicts protrusion measurements of an attached DIN Rail:

