

UltraHorn™ TP 5-24

ULTIMATE NOISE-REJECTING DIRECTIONAL HORN ANTENNA WITH TWISTPORT CONNECTOR

The UltraHorn™ TP Antennas are high-gain, highly directional scalar horn antennas. They offer ultra noise rejection, lossless connection of radio and symmetrical beam with no side lobes. Absence of side lobes allows UltraHorn™ TP antennas to reject noise and create long links in environments with a high level of noise with unprecedented performance. No need to spend more money for radomes or shrouds. No extra costs for additional shielding. Just buy an appropriate TwistPort™ Adaptor to connect your radio and deploy. That's it!

All UltraHorn™ TP Antennas are equipped with a unique TwistPort™, our patent-pending wave guide connector. TwistPort™ connectors are virtually lossless and a revolutionary leap forward in wireless system scalability and convenience of deployment. UltraHorn™ TP Antennas support a wide range of third party radios from mainstream vendors with our TwistPort™ Adaptors.



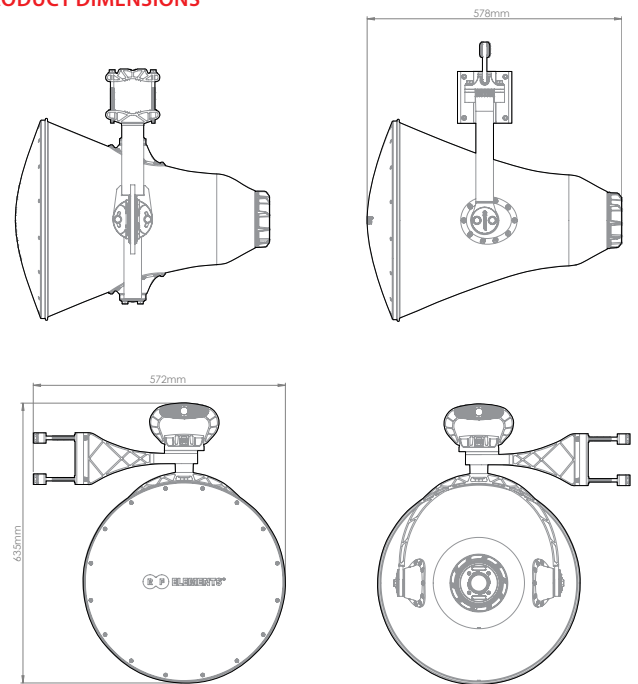
TECHNICAL DATA

Antenna Connection	TwistPort™ - Quick Locking Waveguide Port
Antenna Type	Horn
Materials	UV Resistant ABS Plastic, Polycarbonate, Polypropylene, Aluminium, Stainless Steel
Environmental	IP55
Pole Mounting Diameter	30-80 mm
Temperature	-30°C to +55°C (-22°F to +131°F)
Wind Survival	160 km/hour
Wind Loading	210 N at 160 km/hour
Mechanical Tilt	± 25°
Weight	8.2 Kg / 18 lbs – single unit 9.2 Kg / 20 lbs – single unit incl. package
Single Unit	Retail Box: 55.0 x 55.0 x 66.6 cm

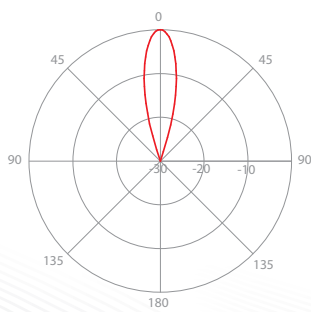
PERFORMANCE

Frequency Range	5180 - 6400 MHz
Gain	24 dBi
Azimuth/Elevation Beam Width -3 dB	H 11° / V 11°
Azimuth/Elevation Beam Width -6 dB	H 16° / V 15°
Polarization	Double linear H+V
Front-to-Back Ratio	40 dB

PRODUCT DIMENSIONS

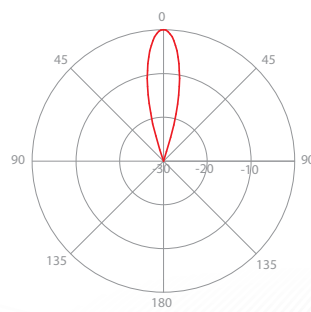


AZIMUTH PATTERN



V/H - Port Pattern Azimuth 5.5 GHz

ELEVATION PATTERN



V/H - Port Pattern Elevation 5.5 GHz

GAIN

