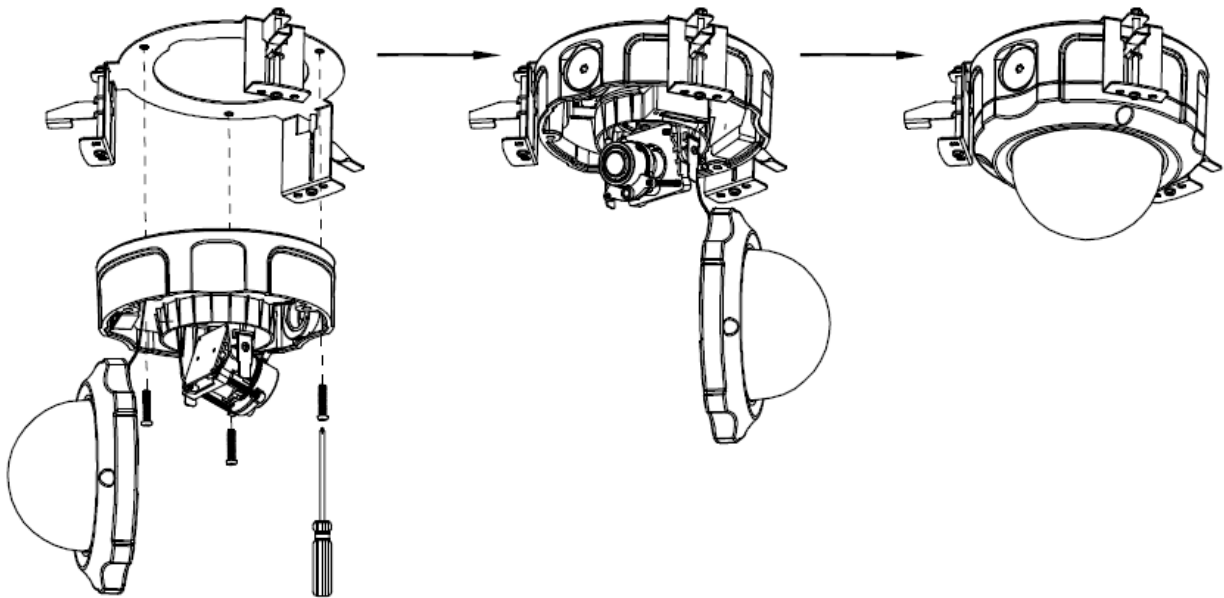
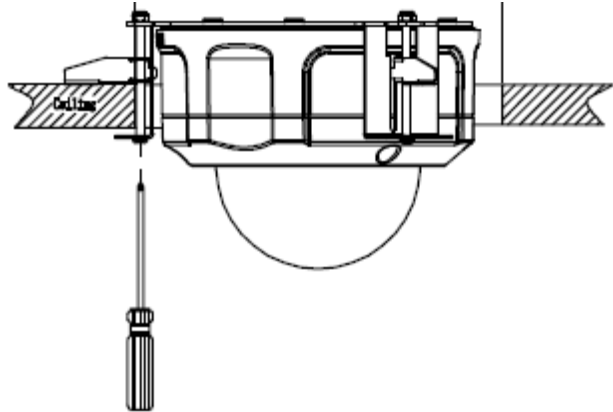


GXV-FM Flush Mount Accessory Kit

1. Remove the plastic cover from the metal housing by pressing in the 3 clips that are attaching it to the metal housing. There is one of each right next to the screws.
2. Next, remove the dome cover from the GXV-3662 using the provided hex wrench.
3. Use the 3 screws with their washers that come with the kit to attach the GXV-3662 to the metal housing.
4. Replace the dome cover now and screw it back in.



5. Next, insert the GXV-3662 and the metal housing into the pre-cut hole in the false ceiling.
6. Extend the side flaps that are already threaded into the screw and place them over the top of the ceiling. Then use a screwdriver to lower or raise the level of the flaps so that the camera with the housing can be secured in the desired position.



7. Snap back in the plastic cover and check for proper fit.

