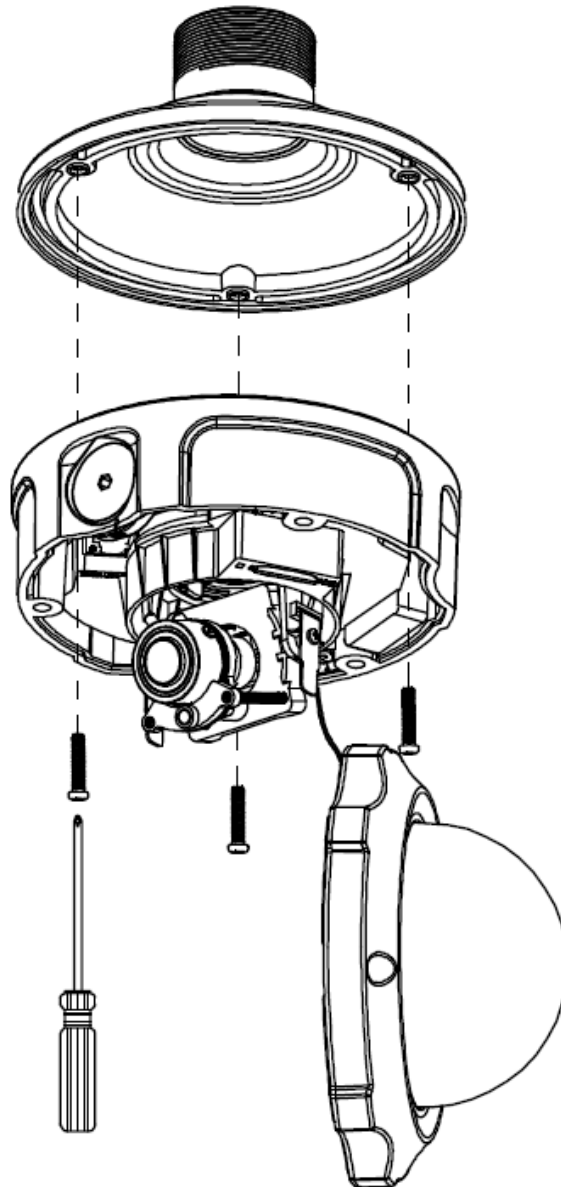


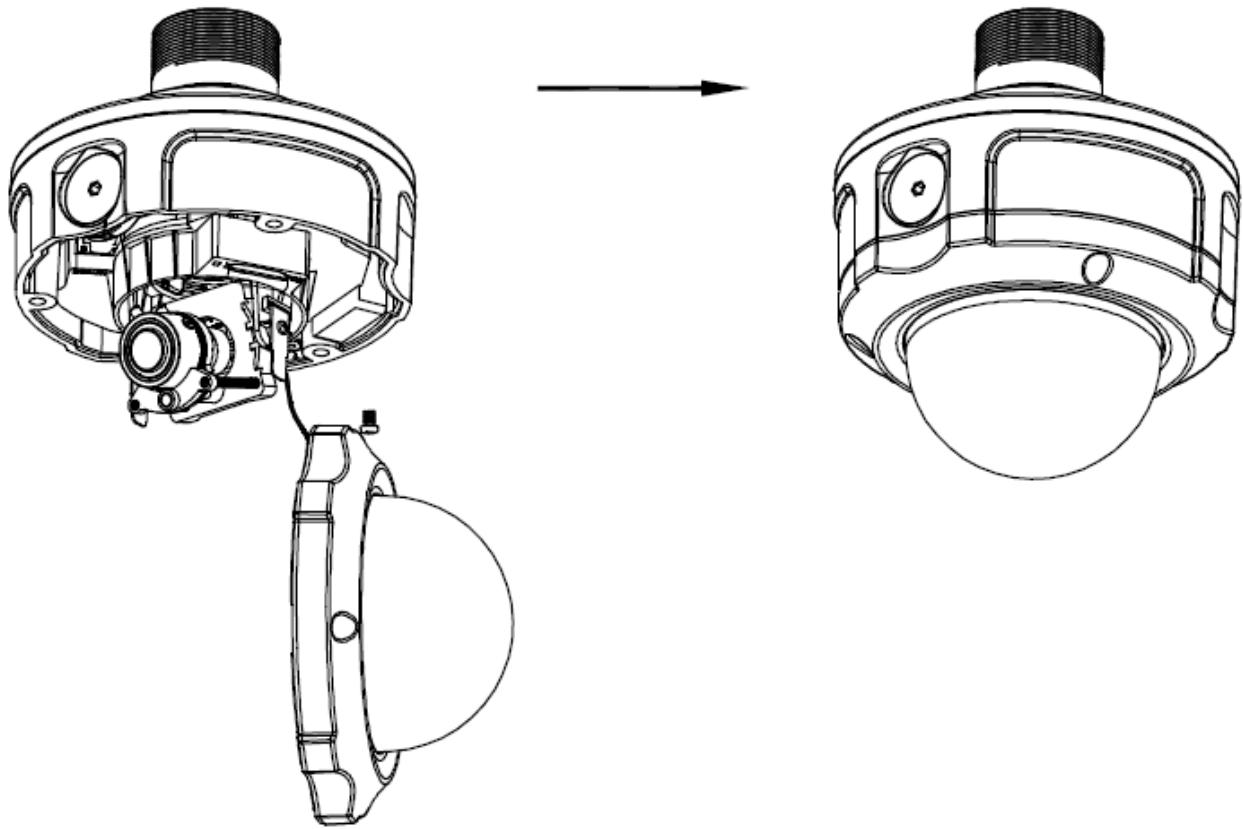


GXV-PM Pendant Mount Accessory Kit

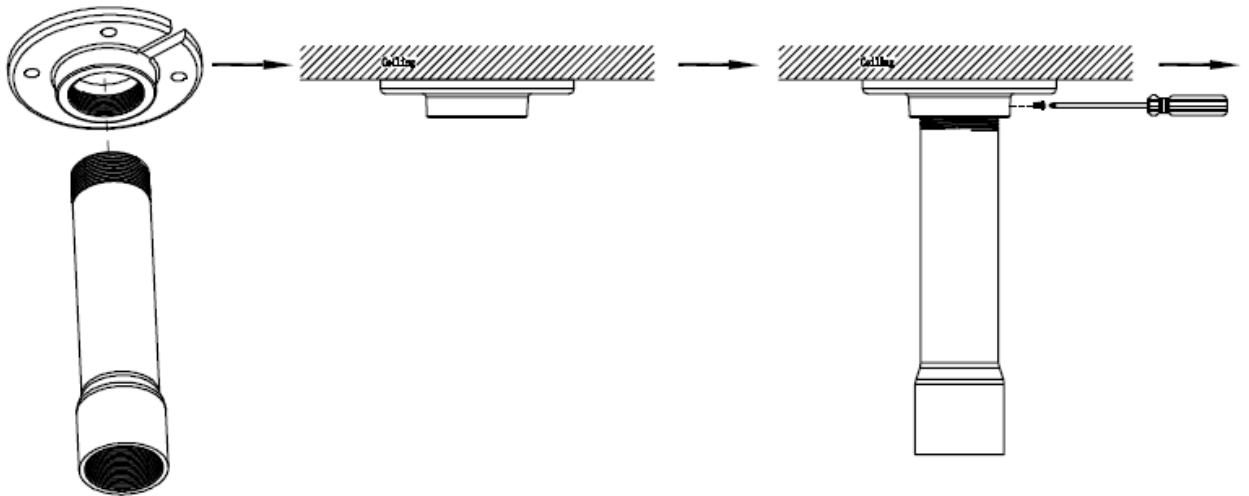
To install the top mount attachment, follow these steps:

1. Unscrew the 3 screws that secure the dome cover using the hexagonal wrench included in the GXV-3662 package.
2. Align the top mount attachment holes with the 3 holes on the bottom of the GXV-3662.
3. Screw in and tighten the 3 screws supplied with its washers.
4. Replace the dome cover and screw it in again using the hexagonal wrench.



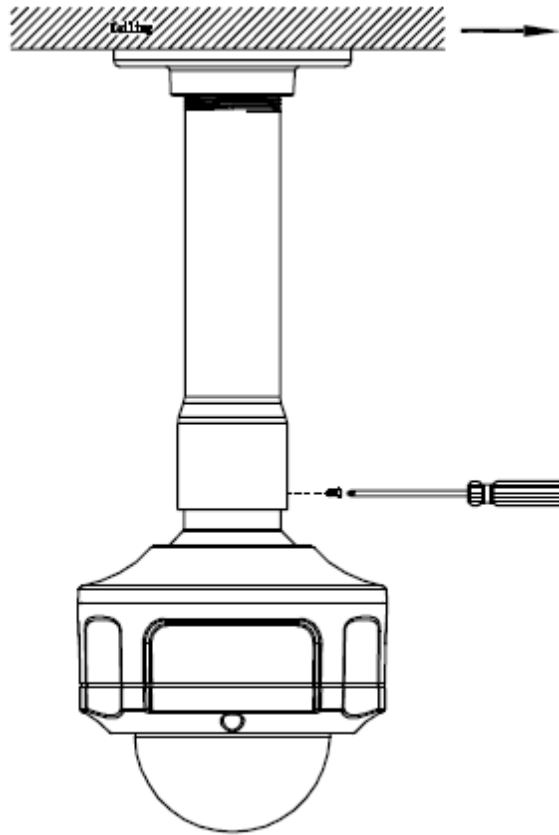


5. Attach the ceiling plate to the false ceiling using 4 screws. Make sure it is safely secured



6. Screw the connecting pipe's narrow end into the ceiling plate. You can use a little oil or grease to make this step easier.
7. Screw in the small provided screw on the side of the pipe to secure it in place.

8. Screw in the top mount attachment into the wide end of the connecting pipe. You can use a little oil or grease to make this step easier.
9. Screw in the small provided screw on the side of the pipe to secure it in place.



10. You can seal all gaps with silicone if necessary to make it weatherproof.

