



Special Order - 2.4 GHz 5 dBi Mobile Omnidirectional Elevated Feed Antenna - Model: HG2405UR-NMO

Applications and Features

- Applications:**
- 2.4 GHz ISM Band
 - IEEE 802.11b and 802.11g Wireless LAN
 - Bluetooth®
 - WiFi
 - Wireless Video Systems
 - Multipoint and Mobile Applications

- Features:**
- Superior Performance
 - Compact Size
 - Built-in Shock Spring
 - Indoor or Outdoor Use
 - TAD/NMO mounting
 - Fixed and Magnetic Mounts Available



Description

High Performance

The HyperGain® HG2405UR-NMO is a high performance omnidirectional elevated feed antenna designed for the 2.4 GHz ISM band. This compact and lightweight antenna is ideally suited for IEEE 802.11b and 802.11g wireless LANs, public wireless hotspots, Bluetooth® and other multipoint and mobile applications where high gain and wide coverage is desired. This antenna features a co-linear stacked design with an elevated feed point. This allows the antenna to operate using a very small ground plane.

Applications

Measuring 14.5" long, this antenna features an aesthetic black finish. It features a built-in shock spring and is designed with a standard TAD/NMO Motorola-type connection that allows for ease of installation to similar TAD/NMO mounting systems.





Model: HG2405UR-NMO

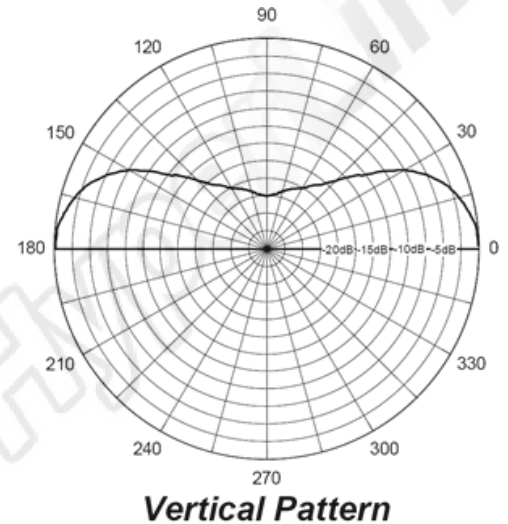
Specifications

Electrical Specifications

Frequency Range	2400-2500 MHz
Gain	5 dBi
Impedance	50 Ohm
VSWR	< 2.0:1 avg.
Power Rating	200 Watts





Mechanical Specifications

Weight	0.36 lbs. (0.16 kg)
Length	14.5" (368 mm)
Finish	Black
Mounting	TAD/NMO
Polarization	Vertical
Radiator	Stainless Steel
Base	Powder Coated Brass



Available Mounts for this Antenna

Brass Permanent NMO Mounts

	3/4 Inch Hole (19 mm) For panels up to 5/32 Inch (4 mm) thick
	3/8 Inch Hole (9.5 mm) For panels up to 1/8 Inch (3.2 mm) thick
	NMO Mobile Mount to N-Female Bulkhead Adapter 5/8 Inch Hole (16 mm), For panels up to 11/16 Inch (17 mm) thick
	NMO Mobile Mount to Mini-UHF-Female Bulkhead Adapter 3/8 Inch Hole (9.5 mm Hole), for panels up to 11/16 Inch (17 mm) thick

Magnetic NMO Mounts

	Chrome Magnetic NMO Mount w/Rubber Boot, 3 Inch Diameter Base (76.2 mm)
---	--